

CATÁLOGO 2019

MATERIAL DE DESGASTE



Tel.: 229 423 421 | Telex.: 914 691 470
Email: rbmaqmotor@hotmail.com

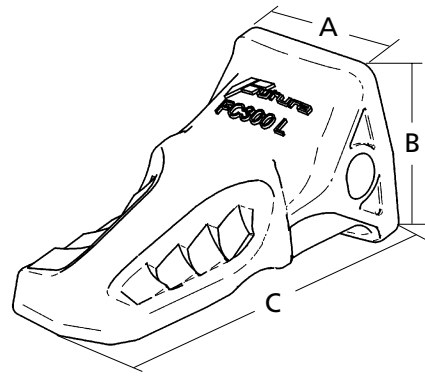
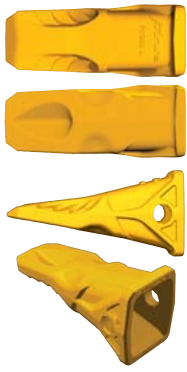
www.maqmotor.com

 **MAQMOTOR**
PEÇAS PARA MAQUINAS E MOTORES



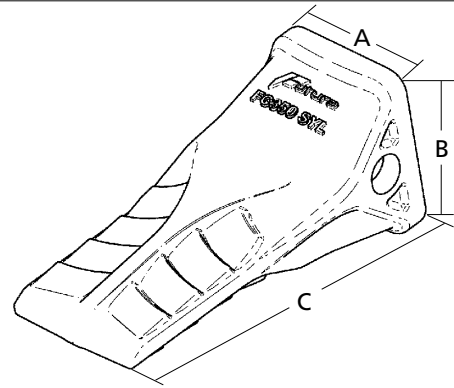
Wear Parts

Side Pin Teeth: Long



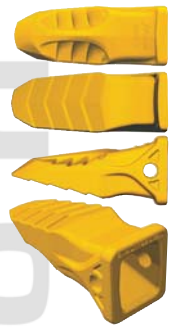
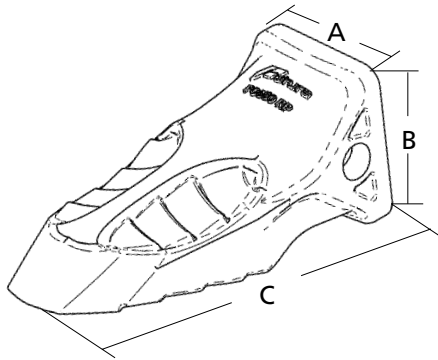
mm.			KG	Image	Image	Image	Image	Image	Image	Image	Image	Image	Image
A	B	C											
64 2,52"	71 2,80"	155 6,10"	1,55 3,42	FC200 L 1U-3202	8E-6208 1U-4208	8E-6209 4T-0001	4T-1204	8J-7525	-	-	9J-4207 8E-2184	-	20
75 2,95"	82 3,23"	170 6,69"	2,14 4,72	FC220 L 6Y-3222	6Y-3228	8E-6259 3G-9609	-	-	-	6Y-3224	-	-	22
80 3,15"	94 3,70"	205 8,07"	3,24 7,14	FC250 L 1U-3252	8E-6258 9J-2258	8E-6259 3G-9609	1U-1254	3G-0169	-	6Y-3254	1U-0257	-	25
97 3,82"	107 4,21"	221 8,70"	4,31 9,50	FC300 L 1U-3302	107-3308 9J-2308	8E-6259 3G-9609	1U-1304	9J-8929	-	3G-6304 /05/06 8E-9490 /95/96	4T-4307 1U-0307 3G-9307	3G-5307	30
110 4,33"	121 4,76"	251 9,88"	6,65 14,66	FC350 L 1U-3352	8E-6358 9J-2358	8E-6359 3G-9549	1U-1354	1U-1350	135-9354 /55/56 113-0354 /55/56	6I-6354 /55/56	3G-3357 1U-1357	3G-1357 3G-2357	35
120 4,72"	131 5,16"	272 10,71"	8,60 18,96	FC400 L 9W-8452	7T-3408	8E-8409	-	-	125-8404 /05/06	6I-6404 /05/06	6I-9898	-	40
140 5,51"	140 5,51"	304 11,97"	13,00 28,66	FC450 L 9W-8452	8E-0468	8E-8469	8E-0464	-	114-0464 /65/66	6I-6464 /65/66 6I-6465 RH/66 LH	8E-2467	-	46
161 6,34"	161 6,34"	350 13,78"	20,15 44,42	FC550 L 9W-8552	6Y-8558 1U-1558	8E-5559 3G-9559	7J-9554	-	107-3554 /55/56	6I-6554 /55/56 6I-6555 RH/56 LH	-	-	55
181 7,13"	198 7,80"	412 16,22"	29,87 65,85	FC600 L 6I-6602	6I-6608	6I-6609	-	-	119-8604/05/06	6I-6604 /05/06 6I-6605 RH/06 LH	-	-	60

Side Pin Teeth: SYL



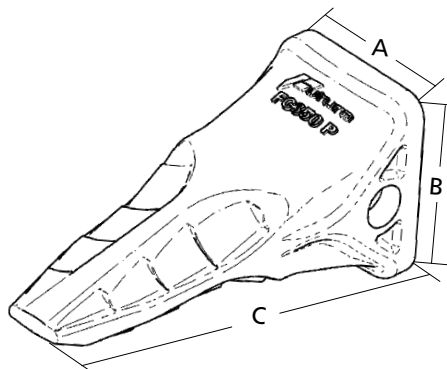
mm.			KG	Image	Image	Image	Image	Image	Image	Image	Image	Image	Image
A	B	C											
67 2,64"	70 2,76"	155 6,10"	1,95 4,30	FC200 SYL	8E-6208 1U-4208	8E-6209 4T-0001	4T-1204	8J-7525	-	-	9J-4207 8E-2184	-	20
82 3,23"	103,5 4,07"	210 8,27"	4,10 9,04	FC250 SYL 1U-3252 SYL	8E-6258 9J-2258	8E-6259 3G-9609	1U-1254	3G-0169	-	6Y-3254	1U-0257	-	25
95 3,74"	110 4,33"	240 9,45"	5,80 12,79	FC300 SYL 1U-3302 SYL	107-3308 9J-2308	8E-6259 3G-9609	1U-1304	9J-8929	-	3G-6304 /05/06 8E-9490 /95/96	4T-4307 1U-0307 3G-9307	3G-5307	30
104 4,09"	120 4,72"	265 10,43"	8,10 17,86	FC350 SYL 1U-3352 SYL	8E-6358 9J-2358	8E-6359 3G-9549	1U-1354	1U-1350	135-9354 /55/56 113-0354 /55/56	6I-6354 /55/56	3G-3357 1U-1357	3G-1357 3G-2357	35
132,5 5,22"	139,5 5,49"	307 12,09"	15,35 33,84	FC400 SYL	7T-3408	8E-8409	-	-	125-8404 /05/06	6I-6404 /05/06	6I-9898	-	40
139 5,47"	146,5 5,77"	322 12,68"	17,00 37,48	FC450 SYL 9W-8452 SYL	8E-0468	8E-8469	8E-0464	-	114-0464 /65/66	6I-6464 /65/66 6I-6465 RH/66 LH	8E-2467	-	46
163,5 6,44"	167 6,57"	368 14,49"	26,05 57,43	FC550 SYL 9W-8552 SYL	6Y-8558 1U-1558	8E-5559 3G-9559	7J-9554	-	107-3554 /55/56	6I-6554 /55/56 6I-6555 RH/56 LH	-	-	55
192 7,56"	195 7,68"	423 16,65"	40,00 88,18	FC600 SYL	6I-6608	6I-6609	-	-	119-8604/05/06	6I-6604 /05/06 6I-6605 RH/06 LH	-	-	60

Side Pin Teeth: RP



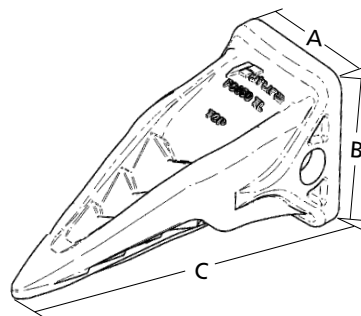
mm.				KG	Image	Image	Image	Image	Image	Image	Image	Image	Image	Image	Image
A	B	C													
90 3,54"	99 3,90"	236 9,29"	6,10 13,45	FC250 RP 4T-2253 RP	8E-6258 9J-2258	8E-6259 3G-9609	1U-1254	3G-0169	-	6Y-3254	1U-0257	-	25		
95 3,74"	114 4,49"	272 10,71"	8,40 18,52	FC300 RP 4T-2303 RP	107-3308 9J-2308	8E-6259 3G-9609	1U-1304	9J-8929	-	3G-6304 /05/06 8E-9490 /95/96	4T-4307 1U-0307 3G-9307	3G-5307	30		
111 4,37"	122 4,80"	296 11,65"	11,40 25,13	FC350 RP 4T-2353 RP	8E-6358 9J-2358	8E-6359 3G-9549	1U-1354	1U-1350	135-9354 /55/56 113-0354 /55/56	6I-6354 /55/56	3G-3357 1U-1357	3G-1357 3G-2357	35		
125 4,92"	136 5,35"	326 12,83"	16,10 35,49	FC400 RP 4T-3403 RP	7T-3408	8E-8409	-	-	125-8404 /05/06	6I-6404 /05/06	6I-9898	-	40		
139,5 5,49"	153 6,02"	366 14,41"	23,60 52,03	FC450 RP 9W-1453 RP	8E-0468	8E-8469	8E-0464	-	114-0464 /65/66	6I-6464 /65/66 6I-6465 RH/66 LH	8E-2467	-	46		
160 6,30"	160 6,30"	382 15,04"	28,50 62,83	FC550 RP	6Y-8558 1U-1558	8E-5559 3G-9559	7J-9554	-	107-3554 /55/56	6I-6554 /55/56 6I-6555 RH/56 LH	-	-	55		
205 8,07"	190 7,48"	454 17,87"	50,40 111,11	FC600 RP 6I-6603 RP	6I-6608	6I-6609	-	-	119-8604/05/06	6I-6604 /05/06 6I-6605 RH/06 LH	-	-	60		
216 8,50"	209 8,23"	499 19,65"	61,02 134,52	FC700 RP 4T-4703 RP	4T-4708	4T-4707	-	-	133-0704 /05/06 100-7416 /RH/LH	-	-	-	70		
248 9,76"	240 9,45"	574 22,60"	95,62 210,80	FC800 RP	134-1808	134-1809	-	-	6I-8804	-	-	-	80		

Side Pin Teeth: P



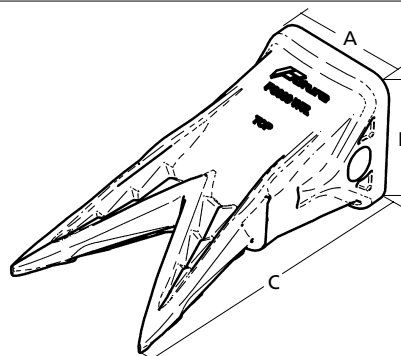
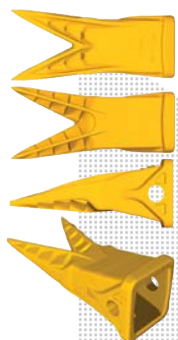
mm.				KG	Image	Image	Image	Image	Image	Image	Image	Image	Image	Image
A	B	C												
81 3,19"	26 1,02"	205 8,07"	2,88 6,35	FC250 P 9J-4259	8E-6258 9J-2258	8E-6259 3G-9609	1U-1254	3G-0169	-	6Y-3254	1U-0257	-	25	
93 3,66"	109 4,29"	230 9,06"	4,20 9,26	FC300 P 9J-4309	107-3308 9J-2308	8E-6259 3G-9609	1U-1304	9J-8929	-	3G-6304 /05/06 8E-9490 /95/96	4T-4307 1U-0307 3G-9307	3G-5307	30	
104 4,09"	122 4,80"	256 10,08"	6,00 13,23	FC350 P 9J-4359	8E-6358 9J-2358	8E-6359 3G-9549	1U-1354	1U-1350	135-9354 /55/56 113-0354 /55/56	6I-6354 /55/56	3G-3357 1U-1357	3G-1357 3G-2357	35	
120 4,72"	137 5,39"	289 11,38"	9,10 20,06	FC400 P 6Y-7409	7T-3408	8E-8409	-	-	125-8404 /05/06	6I-6404 /05/06	6I-9898	-	40	
134 5,28"	149 5,87"	315 12,40"	13,00 28,66	FC450 P 9W-8459	8E-0468	8E-8469	8E-0464	-	114-0464 /65/66	6I-6464 /65/66 6I-6465 RH/66 LH	8E-2467	-	46	
159 6,26"	164 6,46"	345 13,58"	18,80 41,45	FC550 P	6Y-8558 1U-1558	8E-5559 3G-9559	7J-9554	-	107-3554 /55/56	6I-6554 /55/56 6I-6555 RH/56 LH	-	-	55	
191 7,52"	186 7,32"	393 15,47"	28,40 62,61	FC600 P 7I-7609	6I-6608	6I-6609	-	-	119-8604/05/06	6I-6604 /05/06 6I-6605 RH/06 LH	-	-	60	
208 8,19"	203 7,99"	428 16,85"	38,20 84,22	FC700 P 4T-4709	4T-4708	4T-4707	-	-	133-0704 /05/06 100-7416 /RH/LH	-	-	-	70	

Side Pin Teeth: TL



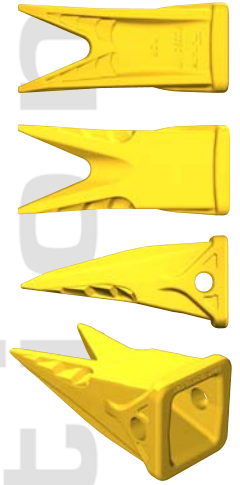
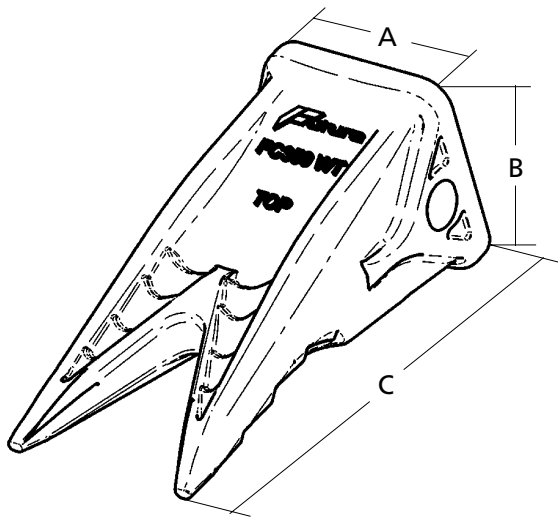
mm.			KG	Image	Image	Image	Image	Image	Image	Image	Image	Image	Image	mm
A	B	C												
61 2,40"	70 2,76"	165 6,50"	1,30 2,87	FC200 TL 1U-3202 TL	8E-6208 1U-4208	8E-6209 4T-0001	4T-1204	8J-7525	-	-	9J-4207 8E-2184	-	-	20
81 3,19"	93 3,66"	220 8,66"	3,00 6,61	FC250 TL 1U-3252 TL	8E-6258 9J-2258	8E-6259 3G-9609	1U-1254	3G-0169	-	6Y-3254	1U-0257	-	-	25
92 3,62"	105 4,13"	248 9,76"	3,60 7,94	FC300 TL 1U-3302 TL	107-3308 9J-2308	8E-6259 3G-9609	1U-1304	9J-8929	-	3G-6304 /05/06 8E-9490 /95/96	4T-4307 1U-0307 3G-9307	3G-5307	-	30
105 4,13"	121 4,76"	285 11,22"	6,00 13,23	FC350 TL 1U-3352 TL	8E-6358 9J-2358	8E-6359 3G-9549	1U-1354	1U-1350	135-9354 /55/56 113-0354 /55/56	6I-6354 /55/56	3G-3357 1U-1357	3G-1357 3G-2357	-	35
123 4,84"	141 5,55"	333 13,11"	10,30 22,71	FC400 TL 7T-3402 TL	7T-3408	8E-8409	-	-	125-8404 /05/06	6I-6404 /05/06	6I-9898	-	-	40
132 5,20"	151 5,94"	356 14,02"	12,10 26,68	FC450 TL 1U-3452 TL	8E-0468	8E-8469	8E-0464	-	114-0464 /65/66	6I-6464 /65/66 6I-6465 RH/66 LH	8E-2467	-	-	46
156 6,14"	164 6,46"	390 15,35"	17,50 38,58	FC550 TL 1U-3552 TL	6Y-8558 1U-1558	8E-5559 3G-9559	7J-9554	-	107-3554 /55/56	6I-6554 /55/56 6I-6555 RH/56 LH	-	-	-	55
186 7,32"	195 7,68"	463 18,23"	27,80 61,29	FC600 TL 6I-6602 TL	6I-6608	6I-6609	-	-	119-8604/05/06	6I-6604 /05/06 6I-6605 RH/06 LH	-	-	-	60
206 8,11"	216 8,50"	511 20,12"	41,10 90,61	FC700 TL 4T-4702 TL	4T-4708	4T4707	-	-	133-0704 /05/06 100-7416 /RH/LH	-	-	-	-	70

Side Pin Teeth: WTL



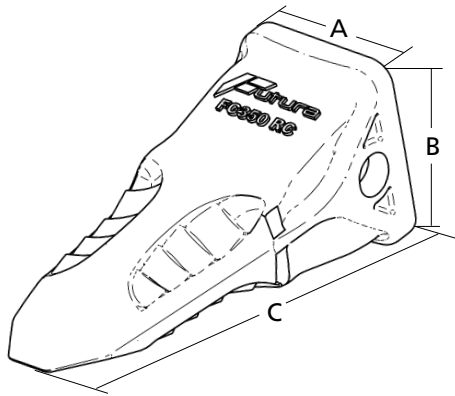
mm.			KG	Image	Image	Image	Image	Image	Image	Image	Image	Image	Image	mm
A	B	C												
61 2,40"	70 2,76"	165 6,50"	1,51 3,33	FC200 WTL	8E-6208 1U-4208	8E-6209 4T-0001	4T-1204	8J-7525	-	-	9J-4207 8E-2184	-	-	20
82 3,23"	94 3,70"	220 8,66"	3,52 7,76	FC250 WTL	8E-6258 9J-2258	8E-6259 3G-9609	1U-1254	3G-0169	-	6Y-3254	1U-0257	-	-	25
92 3,62"	106 4,17"	249 9,80"	4,73 10,43	FC300 WTL	107-3308 9J-2308	8E-6259 3G-9609	1U-1304	9J-8929	-	3G-6304 /05/06 8E-9490 /95/96	4T-4307 1U-0307 3G-9307	3G-5307	-	30
105 4,13"	120 4,72"	284 11,18"	7,56 16,67	FC350 WTL	8E-6358 9J-2358	8E-6359 3G-9549	1U-1354	1U-1350	135-9354 /55/56 113-0354 /55/56	6I-6354 /55/56	3G-3357 1U-1357	3G-1357 3G-2357	-	35
124 4,88"	142 5,59"	335 13,19"	13,20 29,10	FC400 WTL	7T-3408	8E-8409	-	-	125-8404 /05/06	6I-6404 /05/06	6I-9898	-	-	40
132 5,20"	151 5,94"	355 13,98"	15,10 33,29	FC450 WTL	8E-0468	8E-8469	8E-0464	-	114-0464 /65/66	6I-6464 /65/66 6I-6465 RH/66 LH	8E-2467	-	-	46
155 6,10"	164 6,46"	388 15,28"	20,78 45,81	FC550 WTL	6Y-8558 1U-1558	8E-5559 3G-9559	7J-9554	-	107-3554 /55/56	6I-6554 /55/56 6I-6555 RH/56 LH	-	-	-	55
185 7,28"	195 7,68"	462 18,19"	35,09 77,36	FC600 WTL	6I-6608	6I-6609	-	-	119-8604/05/06	6I-6604 /05/06 6I-6605 RH/06 LH	-	-	-	60
204 8,03"	216 8,50"	510 20,08"	50,30 110,89	FC700 WTL	4T-4708	4T4707	-	-	133-0704 /05/06 100-7416 /RH/LH	-	-	-	-	70

Side Pin Teeth: WT



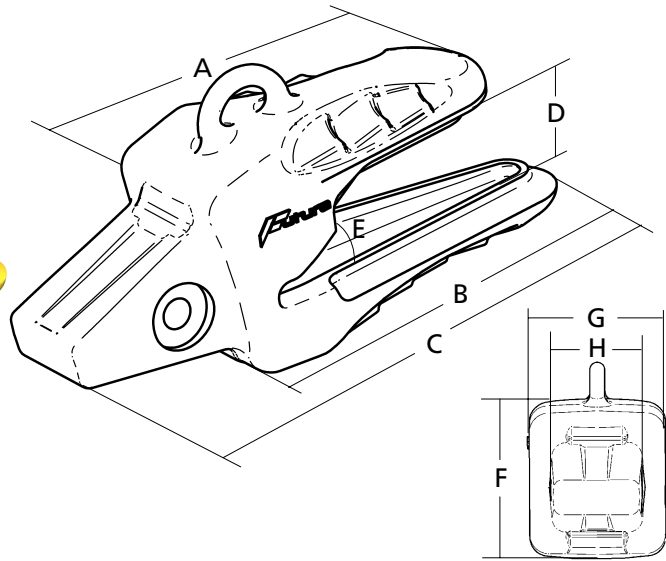
mm.			KG	Image	Image	Image	Image	Image	Image	Image	Image	Image	Image	Image	Image
A	B	C													
114 4,49"	121 4,76"	271 10,67"	8,34 18,39	FC350 WT	8E-6358 9J-2358	8E-6359 3G-9549	1U-1354	1U-1350	135-9354 /55/56 113-0354 /55/56	6I-6354 /55/56	3G-3357 1U-1357	3G-1357 3G-2357	35		

Side Pin Teeth: RC



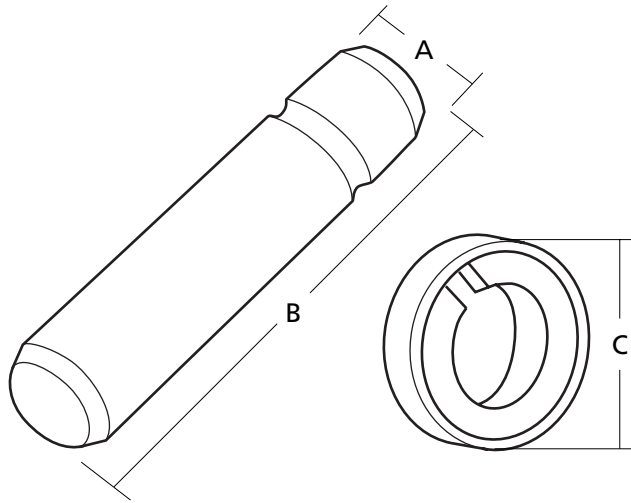
mm.			KG	Image	Image	Image	Image	Image	Image	Image	Image	Image	Image	Image	Image
A	B	C													
93 3,66"	108 4,25"	248 9,76"	5,90 13,01	FC300 RC	107-3308 9J-2308	8E-6259 3G-9609	1U-1304	9J-8929	-	3G-6304 /05/06 8E-9490 /95/96	4T-4307 1U-0307 3G-9307	3G-5307	30		
104 4,09"	122 4,80"	281 11,06"	8,80 19,40	FC350 RC	8E-6358 9J-2358	8E-6359 3G-9549	1U-1354	1U-1350	135-9354 /55/56 113-0354 /55/56	6I-6354 /55/56	3G-3357 1U-1357	3G-1357 3G-2357	35		
115 4,53"	134 5,28"	309 12,17"	11,60 25,57	FC400 RC	7T-3408	8E-8409	-	-	125-8404 /05/06	6I-6404 /05/06	6I-9898	-	40		
140 5,51"	143 5,63"	330 12,99"	17,30 38,14	FC450 RC	1U-3452 RC	8E-0468	8E-8469	8E-0464	-	114-0464 /65/66	6I-6464 /65/66 6I-6465 RH/66 LH	8E-2467	-	46	
170 6,69"	168 6,61"	384 15,12"	30,30 66,80	FC550 RC	1U-3552 RC	6Y-8558 1U-1558	8E-5559 3G-9559	7J-9554	-	107-3554 /55/56	6I-6554 /55/56 6I-6555 RH/56 LH	-	-	55	
204 8,03"	201 7,91"	463 18,23"	52,70 116,18	FC600 RC	6I-6602 RC	6I-6608	6I-6609	-	-	119-8604/05/06	6I-6604 /05/06 6I-6605 RH/06 LH	-	-	60	
212 8,35"	209 8,23"	481 18,94"	56,50 124,56	FC700 RC	-	4T-4708	4T4707	-	-	133-0704 /05/06 100-7416 /RH/LH	-	-	-	70	

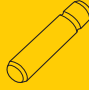


Weld-On Excavator Adapters



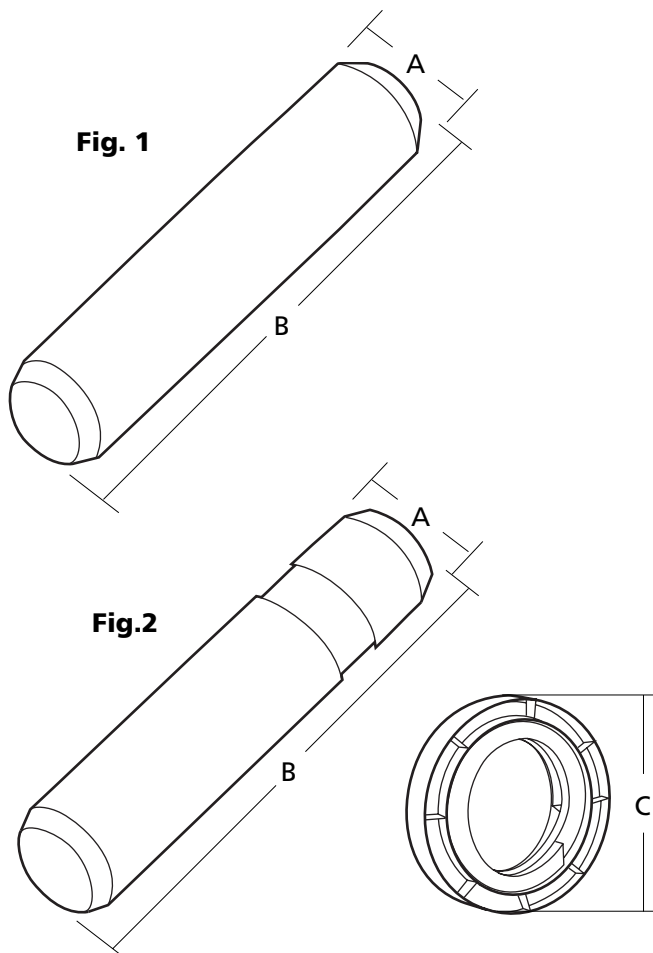
mm.																		
A	B	C	D	E	F	G	H					Cen	Right	Left	Right	Left		
384 846,56	424 934,74	627 1382,28	94 207,23		136 299,82	212 467,37	247 544,53			79,00 174,16	FC700-90 R	●	-	-	-	-		
384 846,56	424 934,74	627 1382,28	94 207,23	31°	136 299,82	212 467,37	246 542,33	90 198,41		80,00 176,37	FC700-90 R RH	-	-	-	●	-		70
384 846,56	424 934,74	628 1384,48	94 207,23		136 299,82	213 469,58	249 548,94			80,00 176,37	FC700-90 R LH	-	-	-	-	●		
519 1144,18	360 793,65	699 1541,01	105 231,48	23°	148 326,28	240 529,10	265 584,22	100 220,46		107,00 235,89	FC800 S	●						80

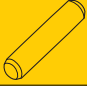
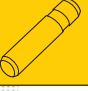


Pin & Washers



mm.					
A	B	C			
11 0,43"	61 2,40"	22 0,87"	8E-6208 1U-4208	8E-6209 4T-0001	20 J200
14 0,55"	69 2,72"	30 1,18"	6Y-3228	8E-6259 3G-9609	22 J225
14 0,55"	78 3,07"	30 1,18"	8E-6258 9J-2258	8E-6259 3G-9609	25 J250
14 0,55"	92 3,62"	30 1,18"	107-3308 9J-2308	8E-6259 3G-9609	30 J300
19 0,75"	108 4,25"	40 1,57"	8E-6358 9J-2358	8E-6359 3G-9549	35 J350
22 0,87"	119 4,69"	42 1,65"	7T-3408	8E-8409	40 J400
19 0,75"	135 5,31"	40 1,57"	9W-8296 4T-1458	8E-6359 3G-9549	45 J450
24 0,94"	141 5,55"	44 1,73"	8E-0468	8E-8469	46 J460
25 0,98"	162 6,38"	53 2,09"	6Y-8558 1U-1558	8E-5559 3G-9559	55 J550
30 1,18"	195 7,68"	59 2,32"	6I-6608	6I-6609	60 J600
32 1,26"	200 7,87"	70 2,76"	4T-4708	4T-4707	70 J700
-	-	-	102-0101	101-2874	80 J800

Heavy Duty Pin & Washers



mm.						
A	B	C				
14 0,55"	69 2,72"	30 1,18"	132-4762	-	133-0699	22 J225
14 0,55"	78 3,07"	30 1,18"	132-4763	-	133-0699	25 J250
14 0,55"	92 3,62"	30 1,18"	132-4766	-	133-0699	30 J300
19 0,75"	108 4,25"	40 1,57"	-	114-0358	114-0359	35 J350
22 0,87"	119 4,69"	42 1,65"	-	116-7408	116-7409	40 J400
24 0,94"	135 5,31"	44 1,73"	-	114-0468	107-3469	46 J460
25 0,98"	162 6,38"	53 2,09"	-	107-3378	107-8559	55 J550
30 1,18"	195 7,68"	59 2,32"	-	113-9608	113-9609	60 J600
32 1,26"	200 7,87"	70 2,76"	-	4T-4708	113-4709	70 J700
35 1,38"	240 9,45"	70 2,76"	-	134-1808	134-1809	80 J800

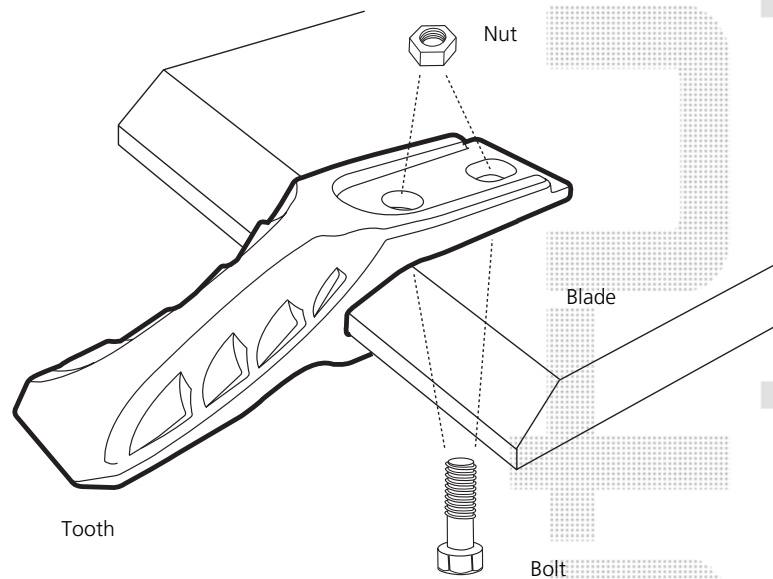


DRP

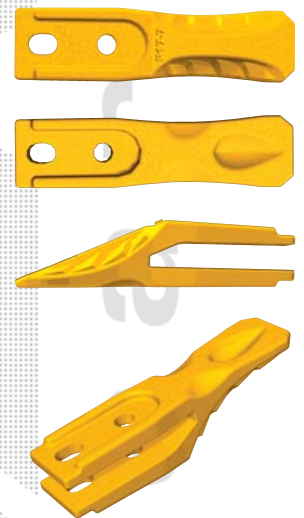
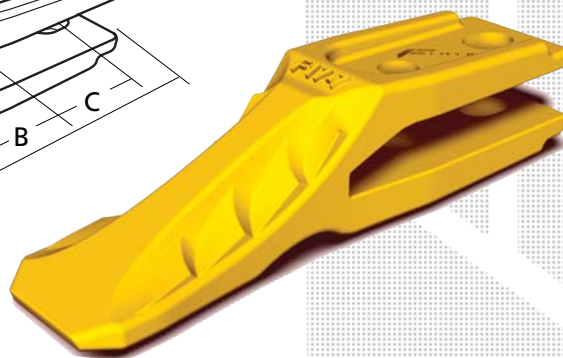
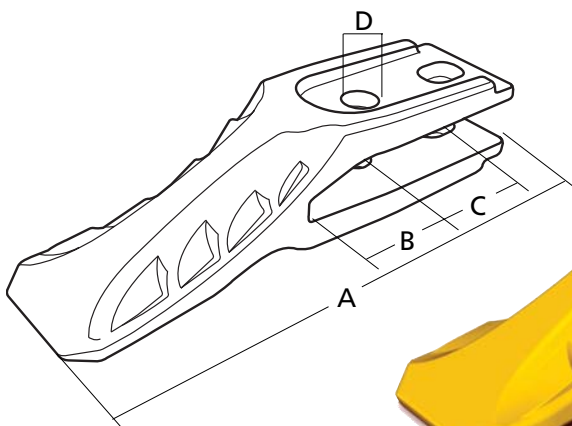
Mini Excavator

Teeth

Bold ref. number product available
 Other ref. number please consult.

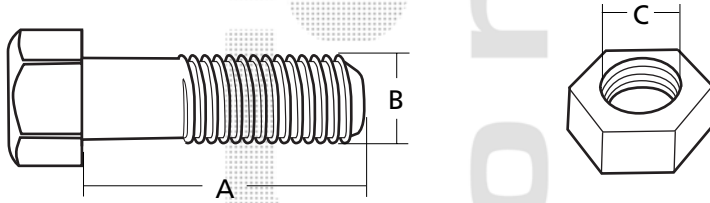


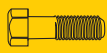

Bolt-On Mini Excavator Teeth



mm.									
A	B	C	D						
193 7,60"	40 1,57"	40 1,57"	45 1,77"	14 0,55"	16 0,63"	1,28 2,82	F17-7 17-7	M-12040	TM-012

Bolts & Nuts



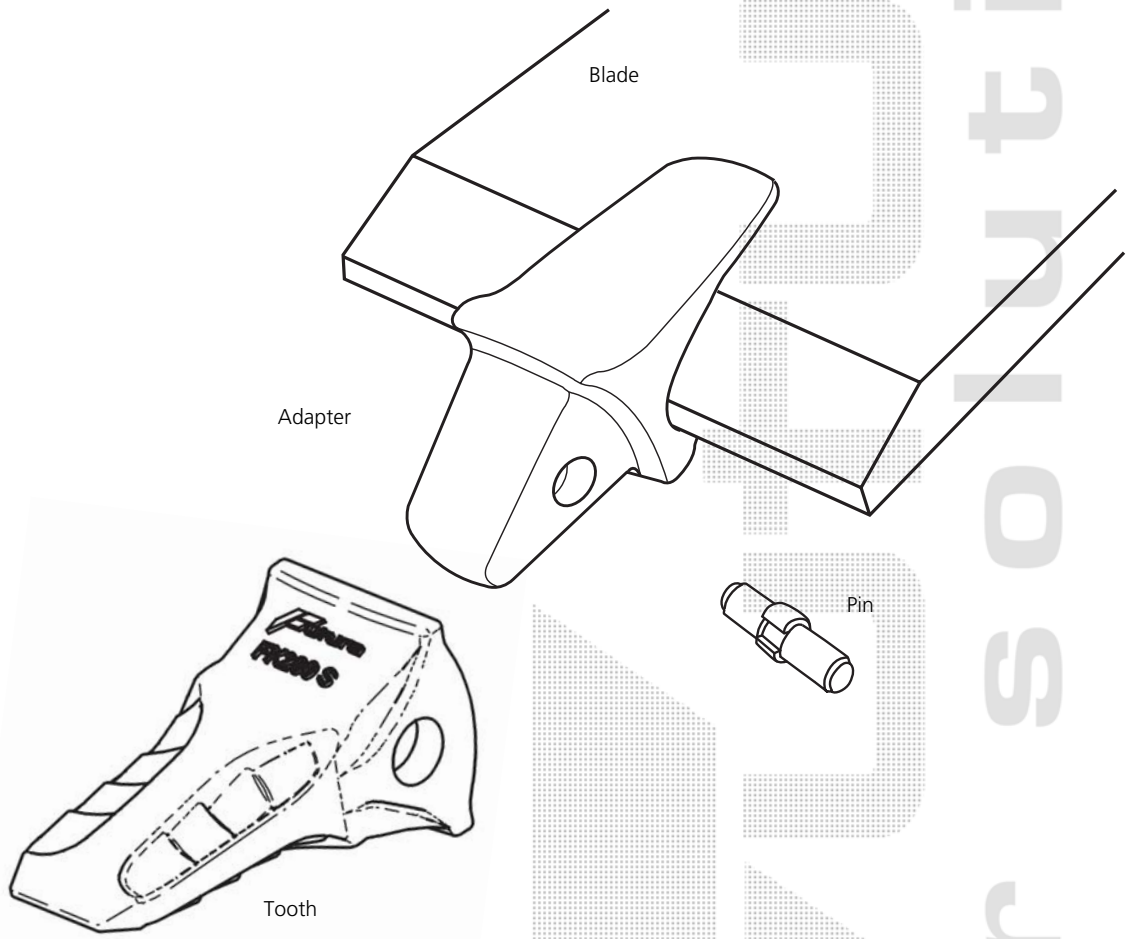
mm.			OEM	BYG ref.		OEM	BYG ref.
A	B	Thread			C		
40 1,57"	12 0,47"	M12 1,75 0,07"	6V-8197	M-12040	M-12	6V-8149	TM-012



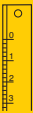


DRP Komatsu Teeth

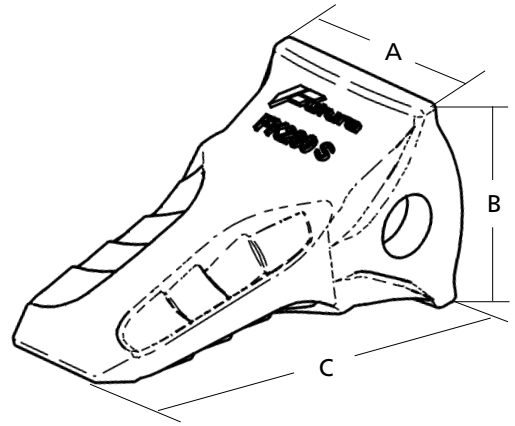
Bold ref. number:
product available

Other ref. number:
please consult.



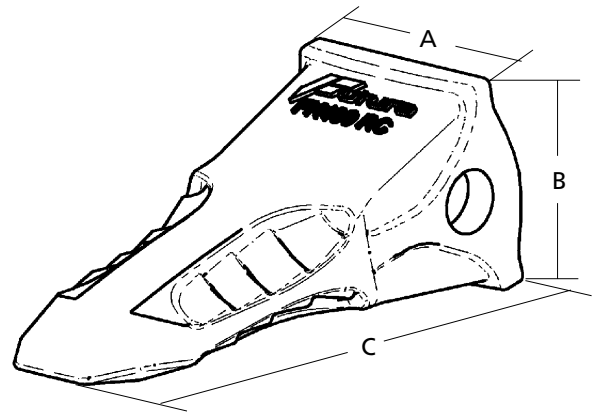
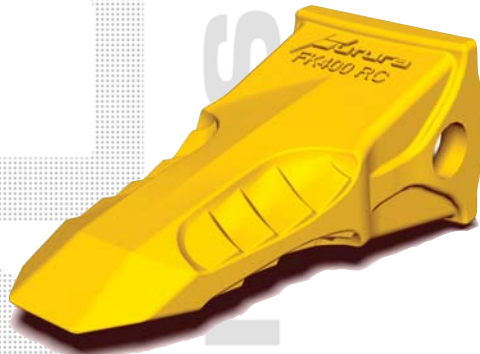
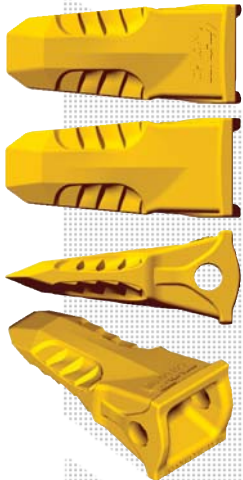
Standard S	Rock Chisel	
		
FK200 S 205-70-19570	-	200
FK300 S 207-70-14151	-	300
FK400 S 208-70-14152	FK400 RC 208-70-14152 RE	400
-	FK750 RC 209-70-54720	650 750
-	FK1100 RC 21N-72-14290 RE	1000 1100

Standard Teeth, S



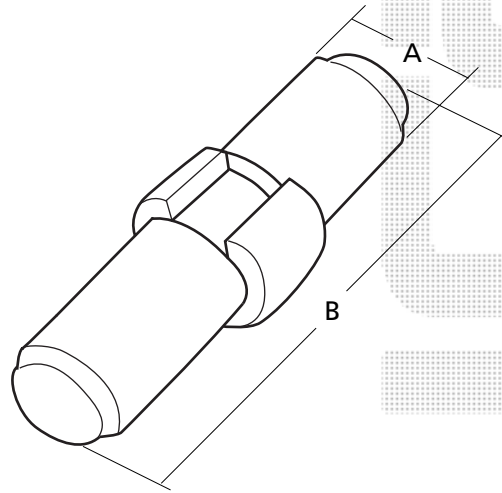
mm.							
A	B	C					
102 4,02"	112 4,41"	225 8,86"	5,10 11,24	FK200 S 205-70-19570	09244-02496	205-70-68141 205-939-7120	200
124 4,88"	121 4,76"	248 9,76"	7,88 17,37	FK300 S 207-70-14151	09244-02516	207-70-14142 207-939-3120	300
146 5,75"	135 5,31"	276 10,87"	11,20 24,69	FK400 S 208-70-14152	09244-03036	208-70-14143	400



Rock chisel teeth, RC



mm.							
A	B	C					
146 5,75"	136 5,35"	345 13,58"	15,50 34,17	FK400 RC 208-70-14152 RE	09244-03036	208-70--14143	400
185 7,28"	191 7,52"	438 17,24"	35,30 77,82	FK750 RC 209-70-54720 RE	209-70-54240	209-70-74140	650 750
188 7,40"	310 12,20"	518 20,39"	54,80 120,81	FK1100 RC 21N-72-14290 RE	21N-72-14330	21N-70-74140	1000 1100

Pin



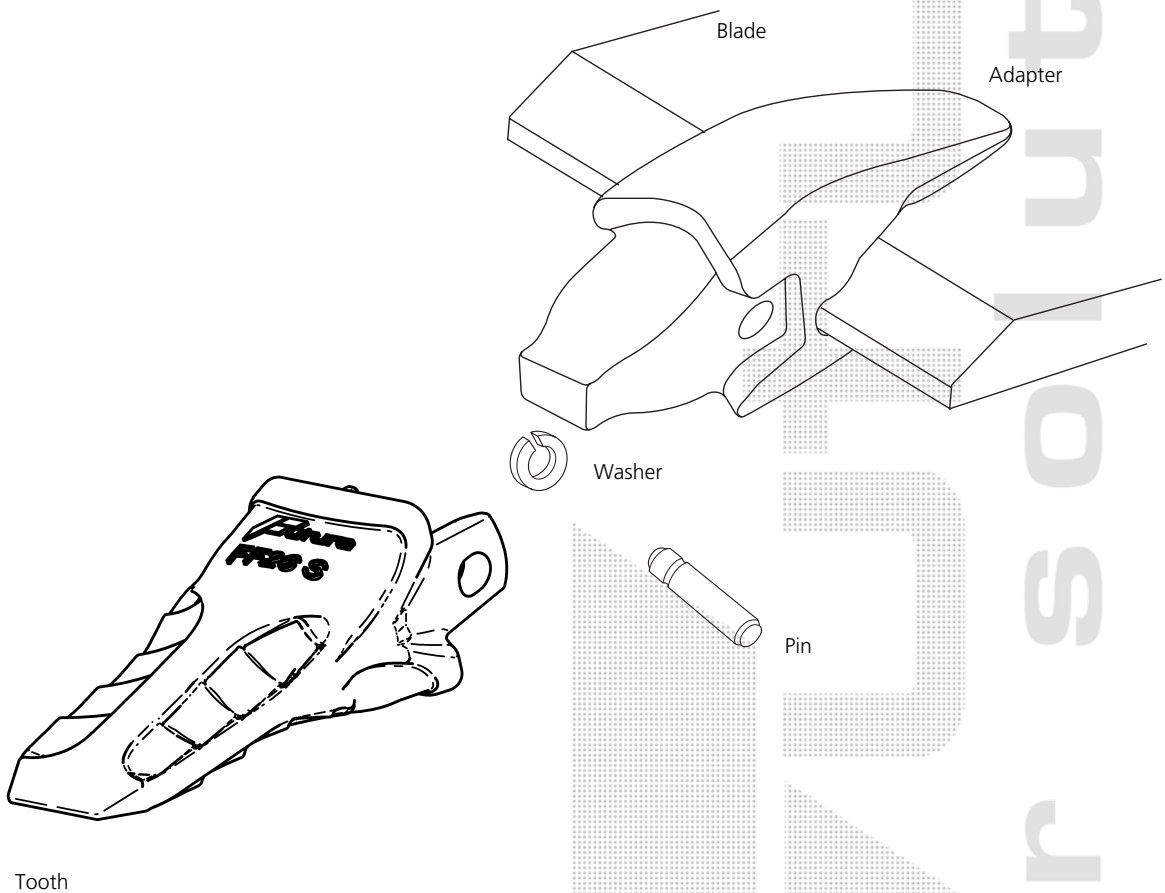
mm.		BYG Ref.	OEM	
A	B			
25 0,98"	97 3,82"	09244-02496	205-70-19610 205-70-69130	PC100, PC100L-5, PC120-5, PC130, PC200LC-5, PW210-1
25 0,98"	119 4,69"	09244-02516	175-78-21810	PC220, PC220LC-5, PC240LC-NLC, PC280LC-3, PC290 LC/NLC, PC300, PC300LC-5, PC340 LC/NLC, PC360LC-3, PC-380 LC
25 0,98"	145 5,71"	09244-03036	198-79-11320 A09-78-11730 426-847-1130	PC400, PC400LC-5, PC450, PC450LC
36 1,42"	165 6,50"	209-70-54240	209-70-54240	PC650, PC650LC-3, PC650SE, PC750, PC750SE
40 1,57"	165 6,50"	21N-72-14330	21N-70-00060	PC-1000LC-1, PC1000SE-1, PC-1100SP, PC-1200






DRP

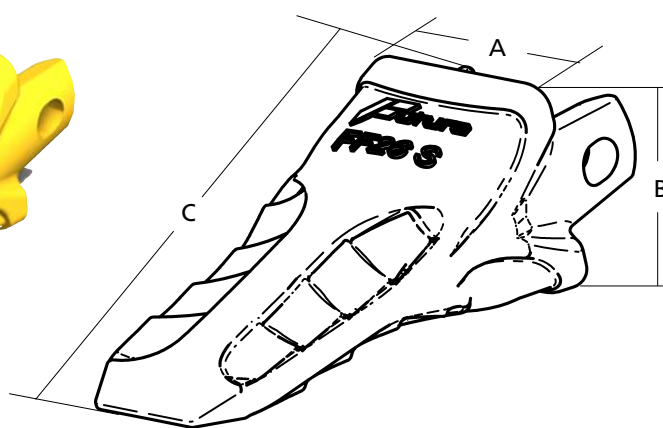
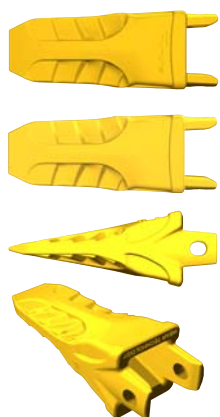
Fiat Hitachi

Teeth

Bold ref. number:
product available
Other ref. number:
please consult.


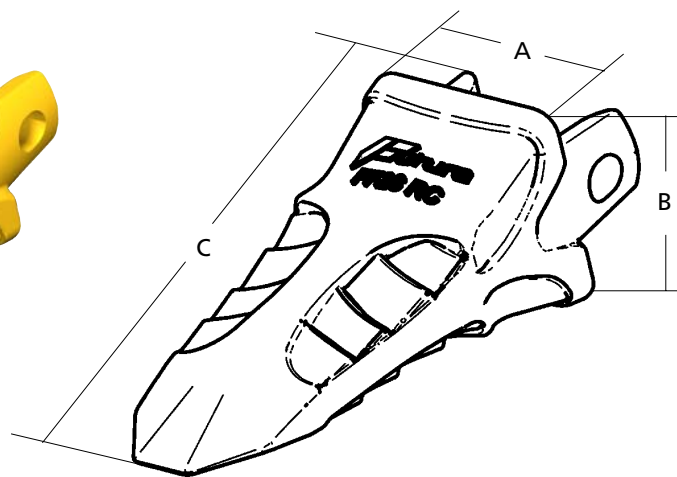
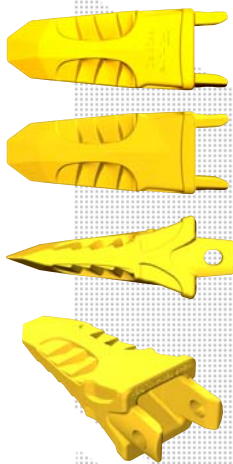
Standard S	Rock Chisel	
		
FF22 S X290	FF22 RC 71407828 RE	22
FF24 S X330	FF24 RC 71407992 RE	24
FF26 S X370	FF26 RC 71421565 RE	26
FF28 S X410	FF28 RC 71432195 RE	28
FF32 S X450	-	32

Standard Teeth, S



mm.									Break Out Force Kn		Break Out Force Kn		
A	B	C											
80 3,15"	90 3,54"	218 8,58"	3,50 7,72	FF22 S	2MF-22P	2MF-21/22R	*	113 - 225	9 - 23	70 - 140	8 - 15	22	
102 4,02"	106 4,17"	282 11,10"	6,86 15,12	FF24 S	2MF-24P	2MF-24R	*	225 - 314	23 - 32	140 - 245	15 - 25	24	
120 4,72"	117 4,61"	330 12,99"	10,65 23,48	FF26 S	2MF-26P	2MF-26/28R	*	314 - 490	32 - 50	245 - 340	25 - 35	26	
138 5,43"	130 5,12"	401 15,79"	16,00 35,27	FF28 S	2MF-28P	2MF-26/28R	*	490 - 735	50 - 75	340 - 490	35 - 50	28	
163 6,42"	155 6,10"	422 16,61"	24,19 53,33	FF32 S	2MF-32P	2MF-32R	*	735 - 930	75 - 95	490 - 635	50 - 65	32	

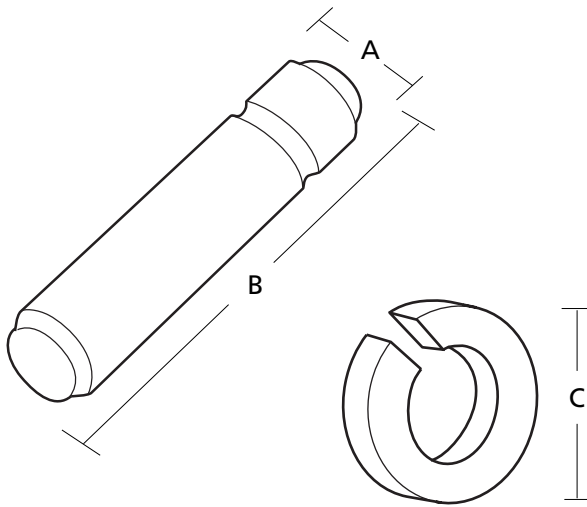
Rock Chisel Teeth, RC






mm.									Break Out Force Kn		Break Out Force Kn		
A	B	C											
80 3,15"	90 3,54"	244 9,61"	3,80 8,38	FF22 RC 71407828 RE	2MF-22P	2MF-21/22R	*	113 - 225	9 - 23	70 - 140	8 - 15	22	
102 4,02"	106 4,17"	286 11,26"	6,58 14,51	FF24 RC 71407992 RE	2MF-24P	2MF-24R	*	225 - 314	23 - 32	140 - 245	15 - 25	24	
120 4,72"	117 4,61"	334 13,15"	10,17 22,42	FF26 RC 71421565 RE	2MF-26P	2MF-26/28R	*	314 - 490	32 - 50	245 - 340	25 - 35	26	
138 5,43"	127 5,00"	407 16,02"	15,07 33,22	FF28 RC 71432195 RE	2MF-28P	2MF-26/28R	*	490 - 735	50 - 75	340 - 490	35 - 50	28	

* To see table of equivalences, page 1.7.4

Pin and Washer



A	B	C			
10 0,39"	85 3,35"	18 0,71"	2MF-22P	2MF-21/22R	22
14 0,55"	102 4,02"	27 1,06"	2MF-24P	2MF-24R	24
19 0,75"	122 4,80"	32 1,26"	2MF-26P	2MF-26/28R	26
19 0,75"	135 5,31"	32 1,26"	2MF-28P	2MF-26/28R	28
25 0,98"	155 6,10"	45 1,77"	2MF-32P	2MF-32R	32

Cross References Between Brands: Teeth, Adapters, Pins and Washers

Teeth Futura	Teeth BYG Ref.	Fiat	Fixmet®	Feurst®	Esco	
FF22 S	71407828	71467241 / 71407828	MF22 S	222LTR	022SL	22
FF24 S	71417992	71465120 / 71419992	MF24 S	24LTR	024SL	24
FF26 S	71421565	71464186 / 71421565	MF26 S	26LTR	026SL	26
FF28 S	71432195	71468101 / 71432195	MF28 S	28LTR	028SL	28
FF32 S	-	-	MF32 S	32LTR	-	32

Teeth Futura	Teeth BYG Ref.	Fiat	Fixmet®	Feurst®	Esco	
FF22 RC	71407828 RE	71467241 / 71407828	MF22 E	222 PR	22	22
FF24 RC	71417992 RE	71465120 / 71419992	MF24 E	24 PR	24	24
FF26 RC	71421565 RE	71464186 / 71421565	MF26 E	26 PR	26	26
FF28 RC	71432195 RE	71468101 / 71432195	MF28 E	28 PR	28	28
FF32 RC	-	-	MF32 E	32 PR	-	32

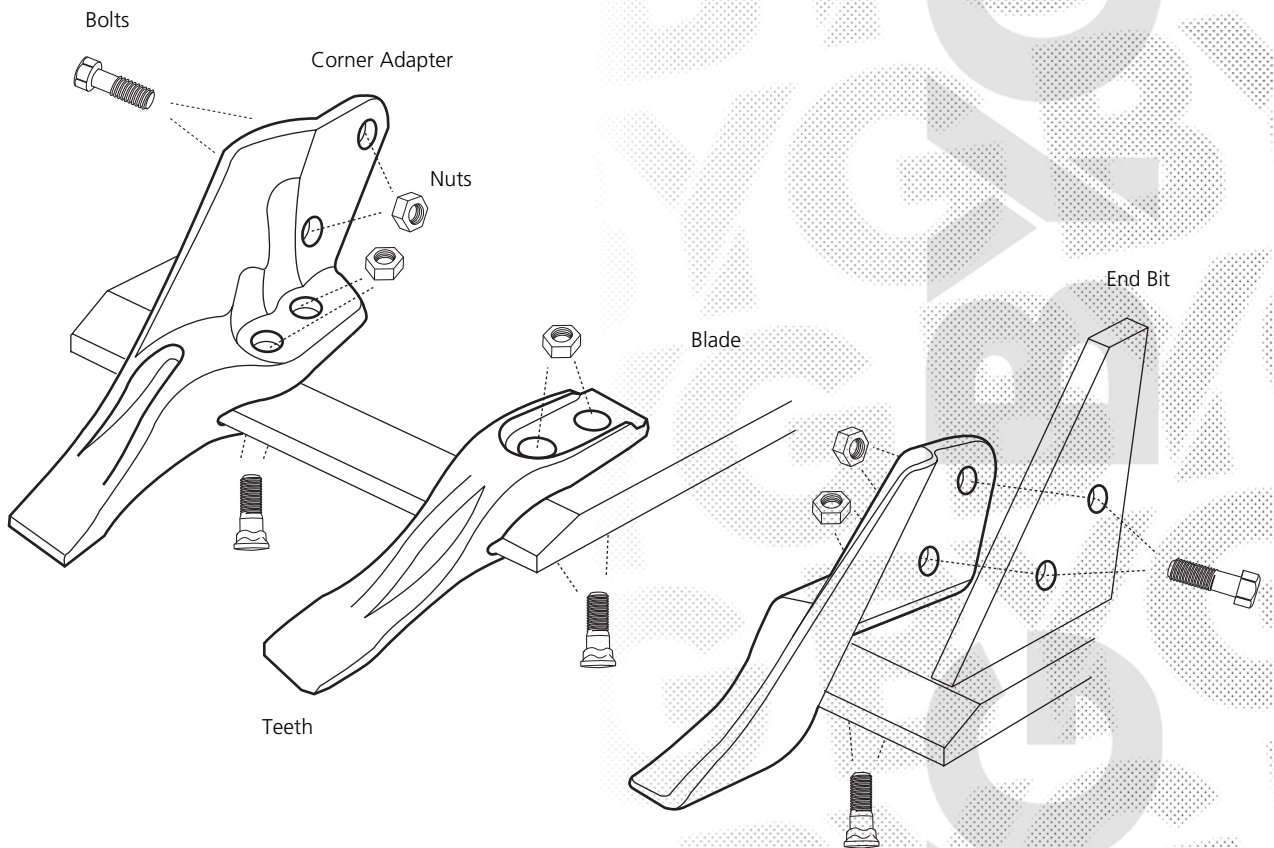
Adapters Futura	Adapters BYG Ref.	Fiat	Fixmet®	Feurst®	Esco	
-	-	71407829	1MF22FC / 1MF22OA 1MF22UC / 1MF22WC 1MF22WL / 1MF22WR	1530-222 1530-2220° 1230-222 1030-222	-	22
-	-	71417993	1MF24FC / 1MF24OA 1MF24UC / 1MF24WC 1MF24WL / 1MF24WR	1535-24 1535-240° 1035-24	-	24
-	-	71421566	1MF26FC / 1MF26OA 1MF26UC / 1MF26WC 1MF26WL / 1MF26WR	1540-26 1540-260° 1040-26	-	26
-	-	71432196	1MF28FC / 1MF28OA 1MF28WC / 1MF28WL 1MF28WR	1545-28 1550-28 1045-28	-	28
-	-	-	1MF32WC / 1MF32WL 1MF32WR	1560-32	-	32









Pins BYG Ref.	Pins Fiat Ref.	Fixmet®	Feurst®	Esco	
2MF-22P	71467242 / 71407832	2MF22P	22CL	022PN	22
2MF-24P	71465124 / 71417996	2MF24P	24CL	024PN	24
2MF-26P	71464190 / 71421569	2MF26P	26CL	026PN	26
2MF-28P	71468105 / 71432199	2MF28P	28CL	028PN	28
2MF-32P	- / -	2MF32P	32CL	032PN	32

Washers BYG Ref.	Washers Fiat Ref.	Fixmet®	Feurst®	Esco	
2MF-21 / 22R	71467243 / 71407833	2MF21 / 22R	22RD	022LK	22
2MF-24R	71465125 / 71417997	2MF24R	24RD	024LK	24
2MF-26 / 28R	71464191 / 71421570	2MF26 / 28R	26RD	026-28LK	26
2MF-26 / 28R	71464191 / 71432200	2MF26 / 28R	28RD	026-28LK	28
2MF-32R	- / -	2MF32R	32RD	032LK	32

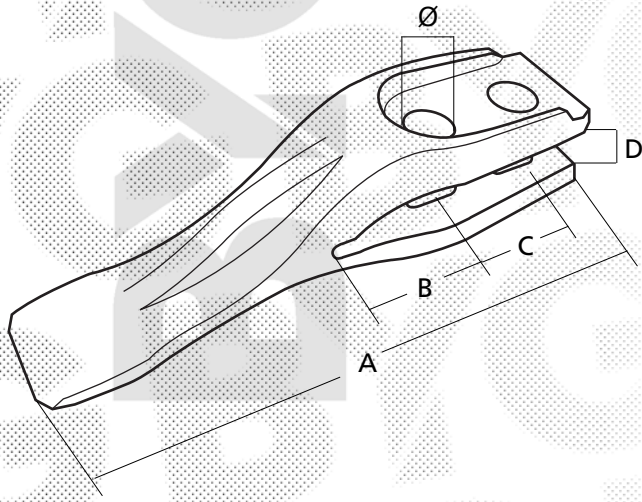
DRP
JCB
Teeth

Bold ref. number, product available
 Other ref. number please consult.
 **Futura Alternative**



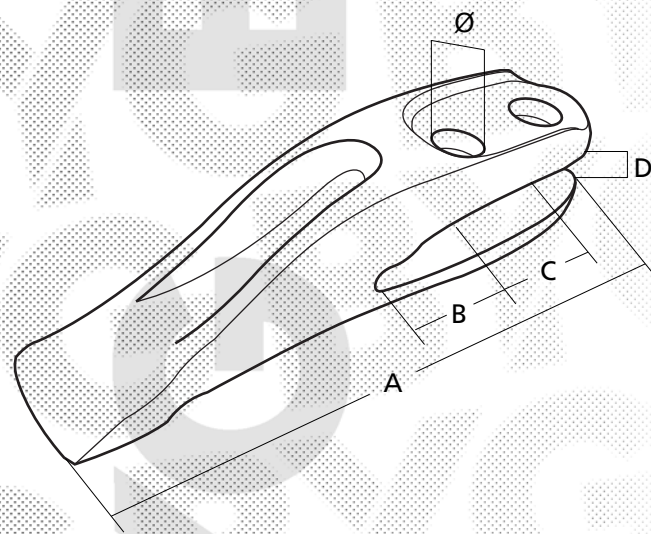
Bolt-On Teeth	Standard	Corner Adapter		JCB-3CX
				
53103205 P	 53103205 FJ205	 53103208 FJ208	 53103209 FJ209	JCB-3CX
Pag. 6.2	Pag. 6.2	Pag. 6.3	Pag. 6.3	

Bolt-On Monoblock Teeth



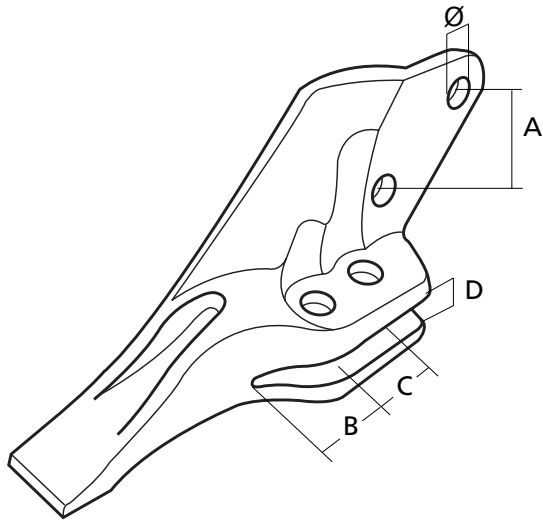
mm.					KG	53103205 P	53103208	53103209	PB-324	NP-190	JCB-3CX
A	B	C	D	Ø							
245	57	44,5	21	20,5	2,00						
9,65"	2,24"	1,75"	0,83"	0,81"	4,41						

Bolt-On Monoblock Teeth



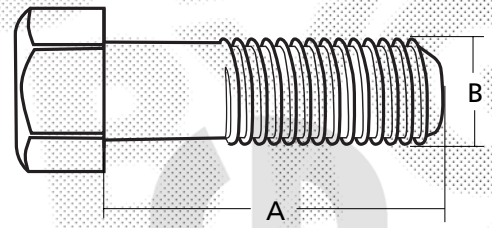
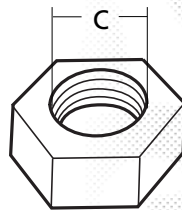
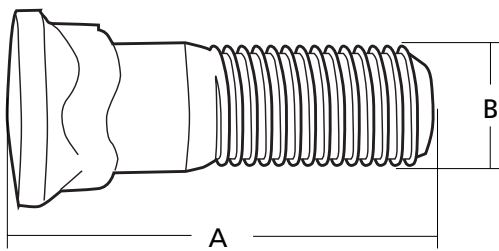
mm.					KG	53103205 FJ205	53103208	53103209	PB-324	NP-190
A	B	C	D	Ø						
245	57	44,5	21	20,5	3,00					
9,65"	2,24"	1,75"	0,83"	0,81"	6,61					

Bolt-On Corner Teeth



mm.					Ø	KG						
A	B	C	D									
87,5	57	44,5	21	20,5	5,50	53103208 FJ208		M-20050	TM-020	PB-324	NP-190	
3,44"	2,24"	1,75"	0,83"	0,81"	12,13		53103209 FJ209					

Bolts & Nuts



mm.			Thread	Thread	OEM	BYG ref.	OEM	BYG.ref.	OEM	BYG.ref.
A	B	C								
50	20	20	-	2,50	6V-3531	M-20050	-	-	6V-7742	TM-020
1,97"	0,79"	0,79"	-	0,10"						
2-1/2"	3/4"	3/4"	10	-	-	-	5J-4773	PB-324	2J-3506	NP-190
-	-	-	0,39"	-						

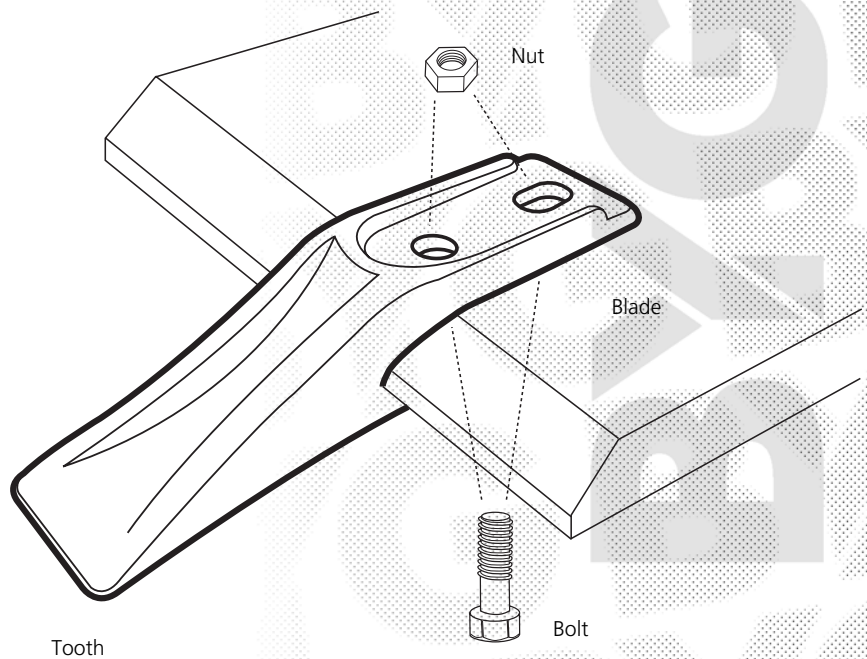
DRP

Mini Excavator

Teeth

Bold ref. number, product available

Other ref. number please consult.



Mini-01	Mini-00	17-7	-	-	16
Mini-02	-	-	-	-	20
Mini-03	-	-	HM-054B	-	20-22
-	-	-	-	1462201M1	26
Pag. 12.2	Pag. 12.2	Pag. 12.3	Pag. 12.3	Pag. 12.4	

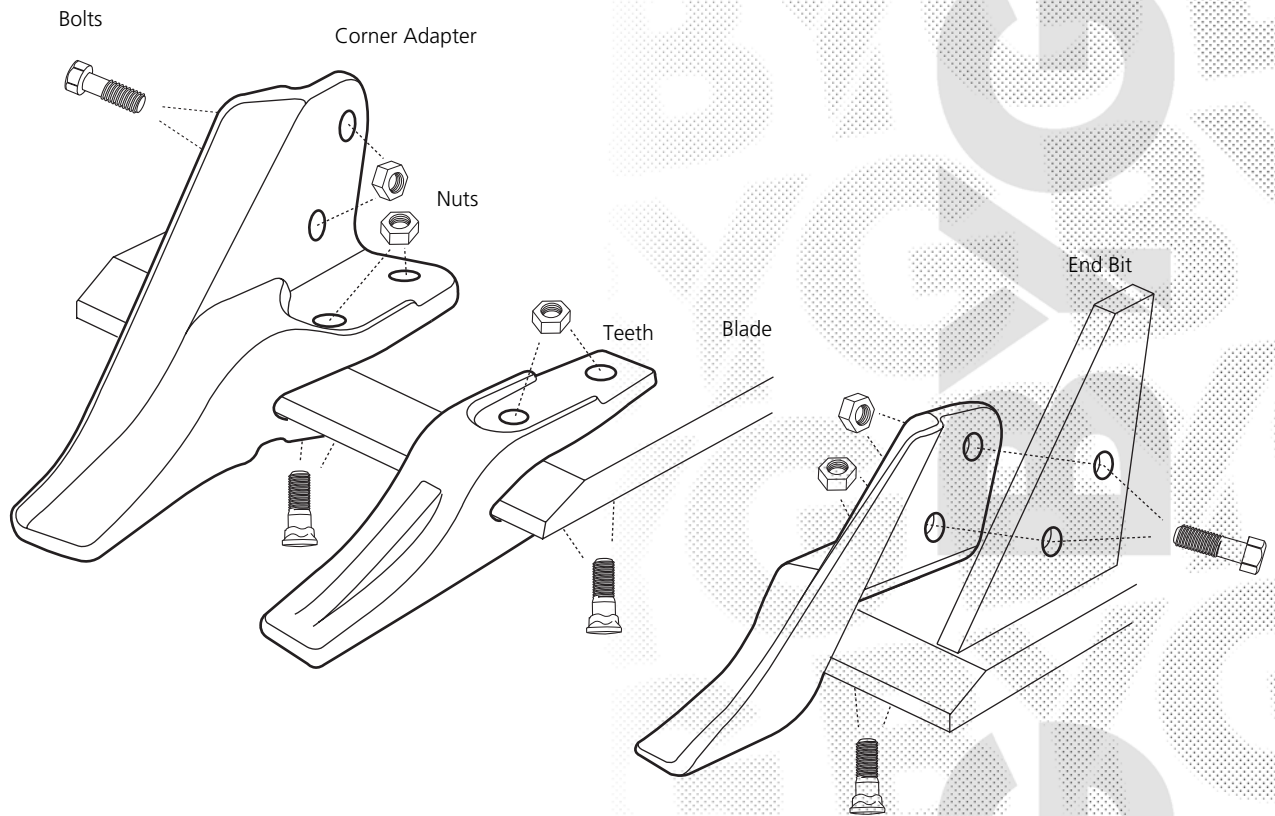
DRP

Fai Komatsu (FMK)

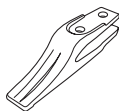
**Bold ref. number,
product available**

*Other ref. number
please consult.*

Teeth



Teeth



312204054

Pag. 2

Corner Adapter



312204053

Pag. 2



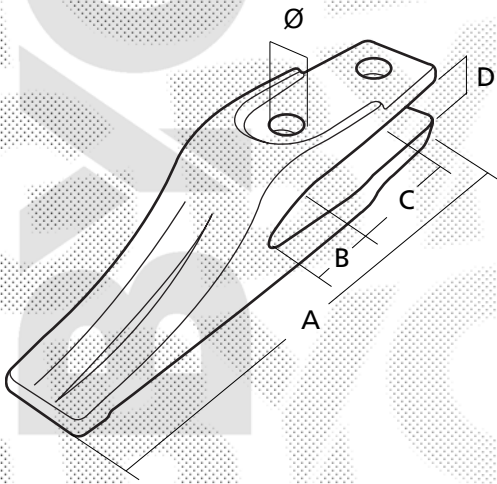
312204052

Pag. 2



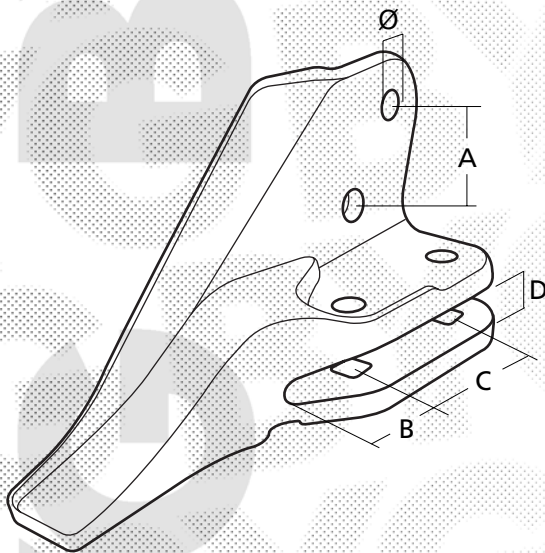
SYNTH-TER 90-P6,
SYNTH-ESIS 555-692-698
SYNTH-LOAD 555-556-692-698

Fai Komatsu (FMK) Tooth



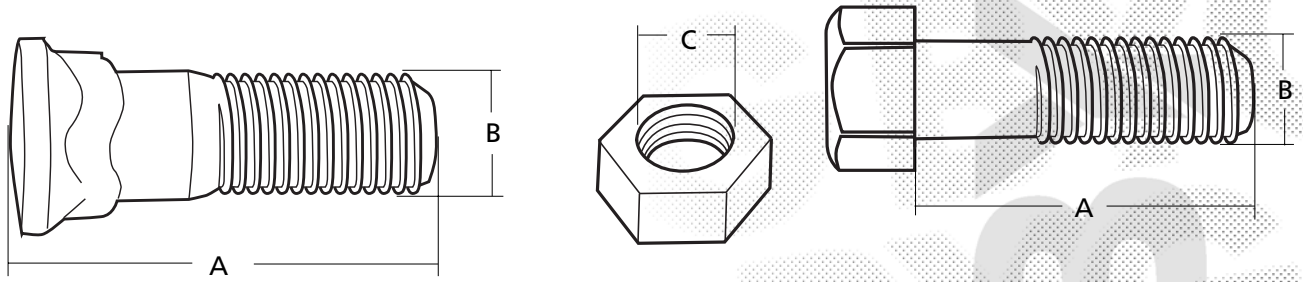
mm.													
A	B	C	D	Ø									
280	65	80	23	17	20	4,00	312204054	PB-510	NP-158	312204053	312204052	SYNTH-TER 90-P6, SYNTH-ESIS 555-692-698 SYNTH-LOAD 555-556-692-698	
11,02"	2,56"	3,15"	0,91"	0,67"	0,79"	8,82							

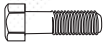


Fai Komatsu (FMK) Corner Adapter



mm.														
A	B	C	D	Ø										
63	65	80	23	17	20	6,7	312204053 312204052	S-0841	NP-158	PB-510	NP-158	312204054	SYNTH-TER 90-P6, SYNTH-ESIS, 555-692-698 SYNTH-LOAD, 555-556-692-698	
2,48"	2,56"	3,15"	0,91"	0,67"	0,79"	14,77								

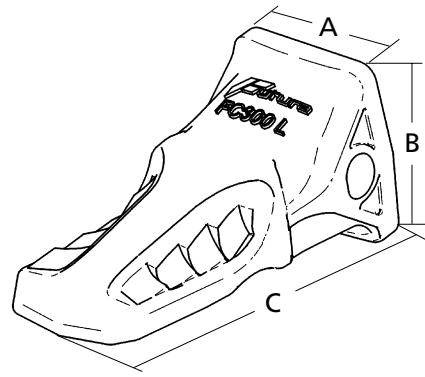
Fasteners



mm.			Threads	Original	BYG ref.	Original	BYG ref.	Original	BYG ref.
A	B	C							
1-3/4"	5/8"	5/8"	18	S-1589	5B-0841	-	-	NP-158	4K-0367
2-1/4"	5/8"	5/8"	11	-	-	PB-510	3F-5108		

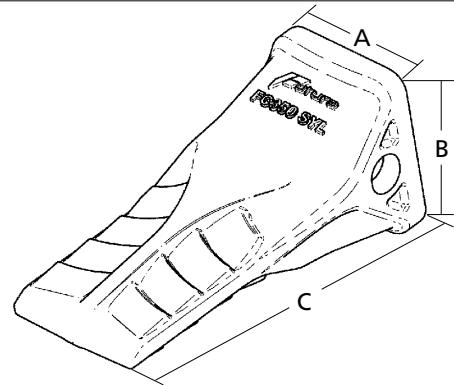


Side Pin Teeth: Long



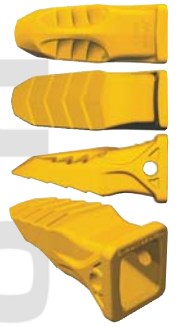
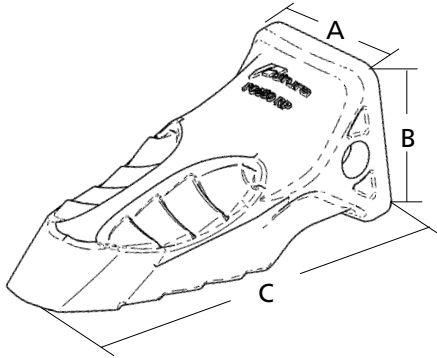
mm.			KG	Image	Image	Image	Image	Image	Image	Image	Image	Image	Image
A	B	C											
64 2,52"	71 2,80"	155 6,10"	1,55 3,42	FC200 L 1U-3202	8E-6208 1U-4208	8E-6209 4T-0001	4T-1204	8J-7525	-	-	9J-4207 8E-2184	-	20
75 2,95"	82 3,23"	170 6,69"	2,14 4,72	FC220 L 6Y-3222	6Y-3228	8E-6259 3G-9609	-	-	-	6Y-3224	-	-	22
80 3,15"	94 3,70"	205 8,07"	3,24 7,14	FC250 L 1U-3252	8E-6258 9J-2258	8E-6259 3G-9609	1U-1254	3G-0169	-	6Y-3254	1U-0257	-	25
97 3,82"	107 4,21"	221 8,70"	4,31 9,50	FC300 L 1U-3302	107-3308 9J-2308	8E-6259 3G-9609	1U-1304	9J-8929	-	3G-6304 /05/06 8E-9490 /95/96	4T-4307 1U-0307 3G-9307	3G-5307	30
110 4,33"	121 4,76"	251 9,88"	6,65 14,66	FC350 L 1U-3352	8E-6358 9J-2358	8E-6359 3G-9549	1U-1354	1U-1350	135-9354 /55/56 113-0354 /55/56	6I-6354 /55/56	3G-3357 1U-1357	3G-1357 3G-2357	35
120 4,72"	131 5,16"	272 10,71"	8,60 18,96	FC400 L 9W-8452	7T-3408	8E-8409	-	-	125-8404 /05/06	6I-6404 /05/06	6I-9898	-	40
140 5,51"	140 5,51"	304 11,97"	13,00 28,66	FC450 L 9W-8452	8E-0468	8E-8469	8E-0464	-	114-0464 /65/66	6I-6464 /65/66 6I-6465 RH/66 LH	8E-2467	-	46
161 6,34"	161 6,34"	350 13,78"	20,15 44,42	FC550 L 9W-8552	6Y-8558 1U-1558	8E-5559 3G-9559	7J-9554	-	107-3554 /55/56	6I-6554 /55/56 6I-6555 RH/56 LH	-	-	55
181 7,13"	198 7,80"	412 16,22"	29,87 65,85	FC600 L 6I-6602	6I-6608	6I-6609	-	-	119-8604/05/06	6I-6604 /05/06 6I-6605 RH/06 LH	-	-	60

Side Pin Teeth: SYL



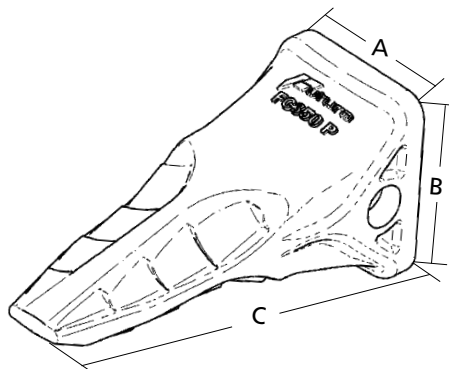
mm.			KG	Image	Image	Image	Image	Image	Image	Image	Image	Image	Image
A	B	C											
67 2,64"	70 2,76"	155 6,10"	1,95 4,30	FC200 SYL	8E-6208 1U-4208	8E-6209 4T-0001	4T-1204	8J-7525	-	-	9J-4207 8E-2184	-	20
82 3,23"	103,5 4,07"	210 8,27"	4,10 9,04	FC250 SYL 1U-3252 SYL	8E-6258 9J-2258	8E-6259 3G-9609	1U-1254	3G-0169	-	6Y-3254	1U-0257	-	25
95 3,74"	110 4,33"	240 9,45"	5,80 12,79	FC300 SYL 1U-3302 SYL	107-3308 9J-2308	8E-6259 3G-9609	1U-1304	9J-8929	-	3G-6304 /05/06 8E-9490 /95/96	4T-4307 1U-0307 3G-9307	3G-5307	30
104 4,09"	120 4,72"	265 10,43"	8,10 17,86	FC350 SYL 1U-3352 SYL	8E-6358 9J-2358	8E-6359 3G-9549	1U-1354	1U-1350	135-9354 /55/56 113-0354 /55/56	6I-6354 /55/56	3G-3357 1U-1357	3G-1357 3G-2357	35
132,5 5,22"	139,5 5,49"	307 12,09"	15,35 33,84	FC400 SYL	7T-3408	8E-8409	-	-	125-8404 /05/06	6I-6404 /05/06	6I-9898	-	40
139 5,47"	146,5 5,77"	322 12,68"	17,00 37,48	FC450 SYL 9W-8452 SYL	8E-0468	8E-8469	8E-0464	-	114-0464 /65/66	6I-6464 /65/66 6I-6465 RH/66 LH	8E-2467	-	46
163,5 6,44"	167 6,57"	368 14,49"	26,05 57,43	FC550 SYL 9W-8552 SYL	6Y-8558 1U-1558	8E-5559 3G-9559	7J-9554	-	107-3554 /55/56	6I-6554 /55/56 6I-6555 RH/56 LH	-	-	55
192 7,56"	195 7,68"	423 16,65"	40,00 88,18	FC600 SYL	6I-6608	6I-6609	-	-	119-8604/05/06	6I-6604 /05/06 6I-6605 RH/06 LH	-	-	60

Side Pin Teeth: RP



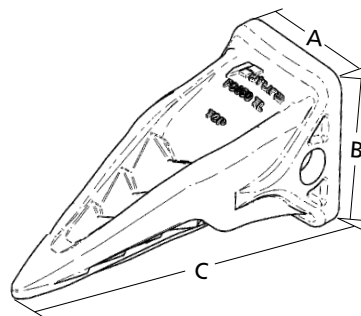
mm.				KG	Image	Image	Image	Image	Image	Image	Image	Image	Image	Image	Image	Image
A	B	C														
90 3,54"	99 3,90"	236 9,29"	6,10 13,45	FC250 RP 4T-2253 RP	8E-6258 9J-2258	8E-6259 3G-9609	1U-1254	3G-0169	-	6Y-3254	1U-0257	-	-	-	-	25
95 3,74"	114 4,49"	272 10,71"	8,40 18,52	FC300 RP 4T-2303 RP	107-3308 9J-2308	8E-6259 3G-9609	1U-1304	9J-8929	-	3G-6304 /05/06 8E-9490 /95/96	4T-4307 1U-0307 3G-9307	3G-5307	-	-	-	30
111 4,37"	122 4,80"	296 11,65"	11,40 25,13	FC350 RP 4T-2353 RP	8E-6358 9J-2358	8E-6359 3G-9549	1U-1354	1U-1350	135-9354 /55/56 113-0354 /55/56	6I-6354 /55/56	3G-3357 1U-1357	3G-1357 3G-2357	-	-	-	35
125 4,92"	136 5,35"	326 12,83"	16,10 35,49	FC400 RP 4T-3403 RP	7T-3408	8E-8409	-	-	125-8404 /05/06	6I-6404 /05/06	6I-9898	-	-	-	-	40
139,5 5,49"	153 6,02"	366 14,41"	23,60 52,03	FC450 RP 9W-1453 RP	8E-0468	8E-8469	8E-0464	-	114-0464 /65/66	6I-6464 /65/66 6I-6465 RH/66 LH	8E-2467	-	-	-	-	46
160 6,30"	160 6,30"	382 15,04"	28,50 62,83	FC550 RP	6Y-8558 1U-1558	8E-5559 3G-9559	7J-9554	-	107-3554 /55/56	6I-6554 /55/56 6I-6555 RH/56 LH	-	-	-	-	-	55
205 8,07"	190 7,48"	454 17,87"	50,40 111,11	FC600 RP 6I-6603 RP	6I-6608	6I-6609	-	-	119-8604/05/06	6I-6604 /05/06 6I-6605 RH/06 LH	-	-	-	-	-	60
216 8,50"	209 8,23"	499 19,65"	61,02 134,52	FC700 RP 4T-4703 RP	4T-4708	4T-4707	-	-	133-0704 /05/06 100-7416 /RH/LH	-	-	-	-	-	-	70
248 9,76"	240 9,45"	574 22,60"	95,62 210,80	FC800 RP	134-1808	134-1809	-	-	6I-8804	-	-	-	-	-	-	80

Side Pin Teeth: P



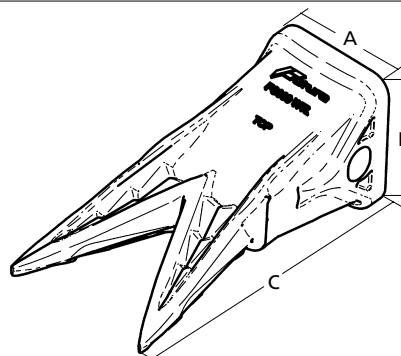
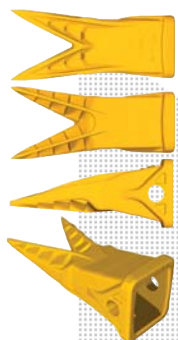
mm.				KG	Image	Image	Image	Image	Image	Image	Image	Image	Image	Image	Image	Image
A	B	C														
81 3,19"	26 1,02"	205 8,07"	2,88 6,35	FC250 P 9J-4259	8E-6258 9J-2258	8E-6259 3G-9609	1U-1254	3G-0169	-	6Y-3254	1U-0257	-	-	-	-	25
93 3,66"	109 4,29"	230 9,06"	4,20 9,26	FC300 P 9J-4309	107-3308 9J-2308	8E-6259 3G-9609	1U-1304	9J-8929	-	3G-6304 /05/06 8E-9490 /95/96	4T-4307 1U-0307 3G-9307	3G-5307	-	-	-	30
104 4,09"	122 4,80"	256 10,08"	6,00 13,23	FC350 P 9J-4359	8E-6358 9J-2358	8E-6359 3G-9549	1U-1354	1U-1350	135-9354 /55/56 113-0354 /55/56	6I-6354 /55/56	3G-3357 1U-1357	3G-1357 3G-2357	-	-	-	35
120 4,72"	137 5,39"	289 11,38"	9,10 20,06	FC400 P 6Y-7409	7T-3408	8E-8409	-	-	125-8404 /05/06	6I-6404 /05/06	6I-9898	-	-	-	-	40
134 5,28"	149 5,87"	315 12,40"	13,00 28,66	FC450 P 9W-8459	8E-0468	8E-8469	8E-0464	-	114-0464 /65/66	6I-6464 /65/66 6I-6465 RH/66 LH	8E-2467	-	-	-	-	46
159 6,26"	164 6,46"	345 13,58"	18,80 41,45	FC550 P	6Y-8558 1U-1558	8E-5559 3G-9559	7J-9554	-	107-3554 /55/56	6I-6554 /55/56 6I-6555 RH/56 LH	-	-	-	-	-	55
191 7,52"	186 7,32"	393 15,47"	28,40 62,61	FC600 P 7I-7609	6I-6608	6I-6609	-	-	119-8604/05/06	6I-6604 /05/06 6I-6605 RH/06 LH	-	-	-	-	-	60
208 8,19"	203 7,99"	428 16,85"	38,20 84,22	FC700 P 4T-4709	4T-4708	4T-4707	-	-	133-0704 /05/06 100-7416 /RH/LH	-	-	-	-	-	-	70

Side Pin Teeth: TL



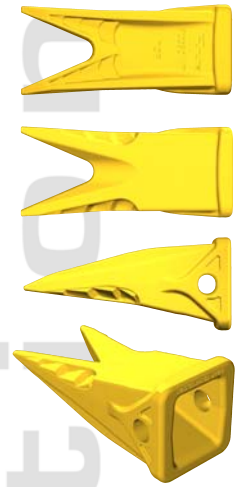
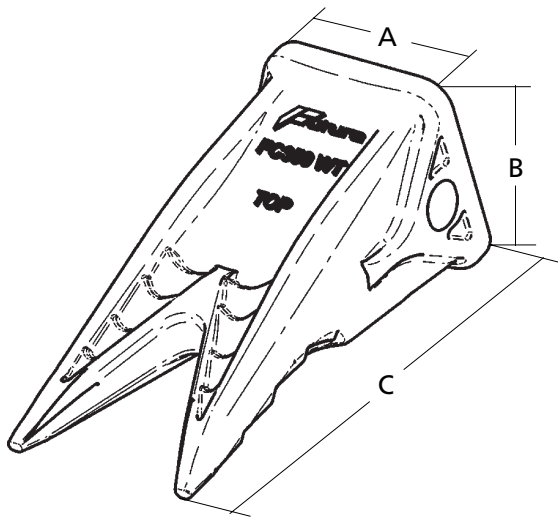
mm.			KG	Image	Image	Image	Image	Image	Image	Image	Image	Image	Image	mm
A	B	C												
61 2,40"	70 2,76"	165 6,50"	1,30 2,87	FC200 TL 1U-3202 TL	8E-6208 1U-4208	8E-6209 4T-0001	4T-1204	8J-7525	-	-	9J-4207 8E-2184	-	-	20
81 3,19"	93 3,66"	220 8,66"	3,00 6,61	FC250 TL 1U-3252 TL	8E-6258 9J-2258	8E-6259 3G-9609	1U-1254	3G-0169	-	6Y-3254	1U-0257	-	-	25
92 3,62"	105 4,13"	248 9,76"	3,60 7,94	FC300 TL 1U-3302 TL	107-3308 9J-2308	8E-6259 3G-9609	1U-1304	9J-8929	-	3G-6304 /05/06 8E-9490 /95/96	4T-4307 1U-0307 3G-9307	3G-5307	-	30
105 4,13"	121 4,76"	285 11,22"	6,00 13,23	FC350 TL 1U-3352 TL	8E-6358 9J-2358	8E-6359 3G-9549	1U-1354	1U-1350	135-9354 /55/56 113-0354 /55/56	6I-6354 /55/56	3G-3357 1U-1357	3G-1357 3G-2357	-	35
123 4,84"	141 5,55"	333 13,11"	10,30 22,71	FC400 TL 7T-3402 TL	7T-3408	8E-8409	-	-	125-8404 /05/06	6I-6404 /05/06	6I-9898	-	-	40
132 5,20"	151 5,94"	356 14,02"	12,10 26,68	FC450 TL 1U-3452 TL	8E-0468	8E-8469	8E-0464	-	114-0464 /65/66	6I-6464 /65/66 6I-6465 RH/66 LH	8E-2467	-	-	46
156 6,14"	164 6,46"	390 15,35"	17,50 38,58	FC550 TL 1U-3552 TL	6Y-8558 1U-1558	8E-5559 3G-9559	7J-9554	-	107-3554 /55/56	6I-6554 /55/56 6I-6555 RH/56 LH	-	-	-	55
186 7,32"	195 7,68"	463 18,23"	27,80 61,29	FC600 TL 6I-6602 TL	6I-6608	6I-6609	-	-	119-8604/05/06	6I-6604 /05/06 6I-6605 RH/06 LH	-	-	-	60
206 8,11"	216 8,50"	511 20,12"	41,10 90,61	FC700 TL 4T-4702 TL	4T-4708	4T4707	-	-	133-0704 /05/06 100-7416 /RH/LH	-	-	-	-	70

Side Pin Teeth: WTL



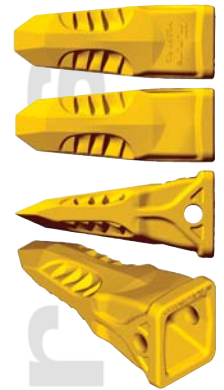
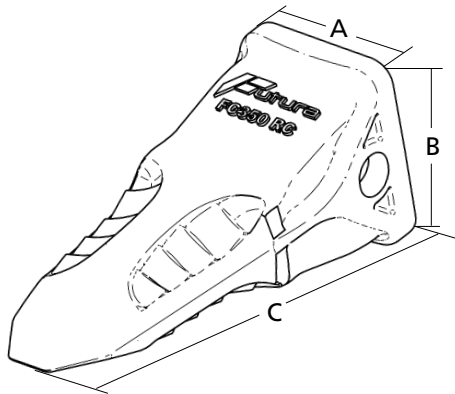
mm.			KG	Image	Image	Image	Image	Image	Image	Image	Image	Image	Image	mm
A	B	C												
61 2,40"	70 2,76"	165 6,50"	1,51 3,33	FC200 WTL	8E-6208 1U-4208	8E-6209 4T-0001	4T-1204	8J-7525	-	-	9J-4207 8E-2184	-	-	20
82 3,23"	94 3,70"	220 8,66"	3,52 7,76	FC250 WTL	8E-6258 9J-2258	8E-6259 3G-9609	1U-1254	3G-0169	-	6Y-3254	1U-0257	-	-	25
92 3,62"	106 4,17"	249 9,80"	4,73 10,43	FC300 WTL	107-3308 9J-2308	8E-6259 3G-9609	1U-1304	9J-8929	-	3G-6304 /05/06 8E-9490 /95/96	4T-4307 1U-0307 3G-9307	3G-5307	-	30
105 4,13"	120 4,72"	284 11,18"	7,56 16,67	FC350 WTL	8E-6358 9J-2358	8E-6359 3G-9549	1U-1354	1U-1350	135-9354 /55/56 113-0354 /55/56	6I-6354 /55/56	3G-3357 1U-1357	3G-1357 3G-2357	-	35
124 4,88"	142 5,59"	335 13,19"	13,20 29,10	FC400 WTL	7T-3408	8E-8409	-	-	125-8404 /05/06	6I-6404 /05/06	6I-9898	-	-	40
132 5,20"	151 5,94"	355 13,98"	15,10 33,29	FC450 WTL	8E-0468	8E-8469	8E-0464	-	114-0464 /65/66	6I-6464 /65/66 6I-6465 RH/66 LH	8E-2467	-	-	46
155 6,10"	164 6,46"	388 15,28"	20,78 45,81	FC550 WTL	6Y-8558 1U-1558	8E-5559 3G-9559	7J-9554	-	107-3554 /55/56	6I-6554 /55/56 6I-6555 RH/56 LH	-	-	-	55
185 7,28"	195 7,68"	462 18,19"	35,09 77,36	FC600 WTL	6I-6608	6I-6609	-	-	119-8604/05/06	6I-6604 /05/06 6I-6605 RH/06 LH	-	-	-	60
204 8,03"	216 8,50"	510 20,08"	50,30 110,89	FC700 WTL	4T-4708	4T4707	-	-	133-0704 /05/06 100-7416 /RH/LH	-	-	-	-	70

Side Pin Teeth: WT



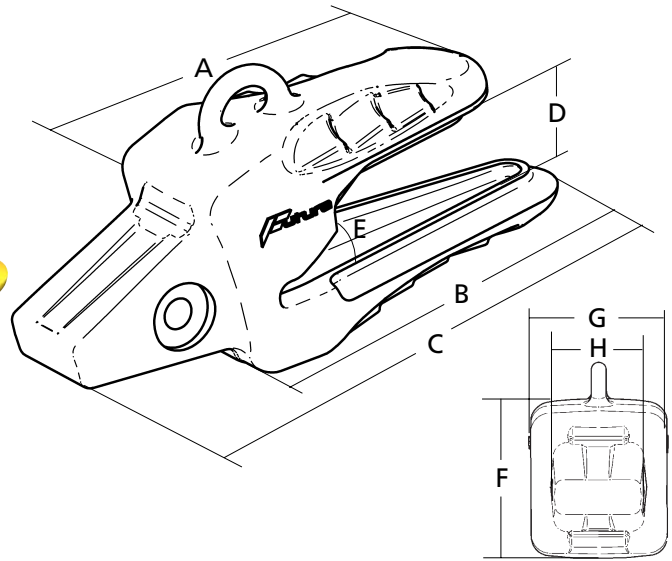
mm.			KG	Image	Image	Image	Image	Image	Image	Image	Image	Image	Image	Image
A	B	C												
114 4,49"	121 4,76"	271 10,67"	8,34 18,39	FC350 WT	8E-6358 9J-2358	8E-6359 3G-9549	1U-1354	1U-1350	135-9354 /55/56 113-0354 /55/56	6I-6354 /55/56	3G-3357 1U-1357	3G-1357 3G-2357	35	

Side Pin Teeth: RC



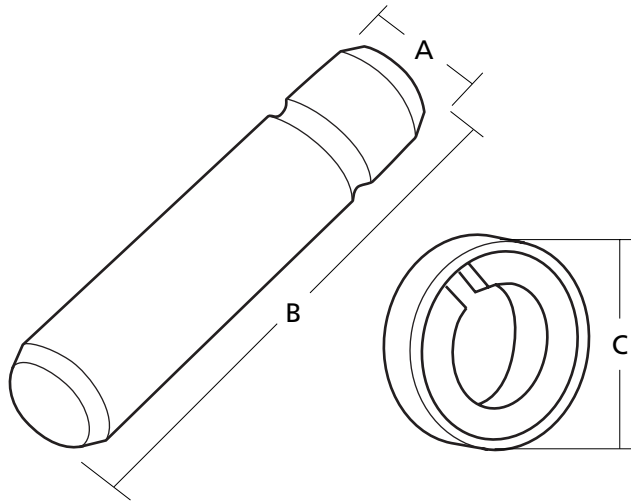
mm.			KG	Image	Image	Image	Image	Image	Image	Image	Image	Image	Image	Image
A	B	C												
93 3,66"	108 4,25"	248 9,76"	5,90 13,01	FC300 RC	107-3308 9J-2308	8E-6259 3G-9609	1U-1304	9J-8929	-	3G-6304 /05/06 8E-9490 /95/96	4T-4307 1U-0307 3G-9307	3G-5307	30	
104 4,09"	122 4,80"	281 11,06"	8,80 19,40	FC350 RC	8E-6358 9J-2358	8E-6359 3G-9549	1U-1354	1U-1350	135-9354 /55/56 113-0354 /55/56	6I-6354 /55/56	3G-3357 1U-1357	3G-1357 3G-2357	35	
115 4,53"	134 5,28"	309 12,17"	11,60 25,57	FC400 RC	7T-3408 RC	8E-8409	-	-	125-8404 /05/06	6I-6404 /05/06	6I-9898	-	40	
140 5,51"	143 5,63"	330 12,99"	17,30 38,14	FC450 RC	1U-3452 RC	8E-0468	8E-8469	8E-0464	-	114-0464 /65/66	6I-6464 /65/66 6I-6465 RH/66 LH	8E-2467	-	46
170 6,69"	168 6,61"	384 15,12"	30,30 66,80	FC550 RC	1U-3552 RC	6Y-8558 1U-1558	8E-5559 3G-9559	7J-9554	-	107-3554 /55/56	6I-6554 /55/56 6I-6555 RH/56 LH	-	-	55
204 8,03"	201 7,91"	463 18,23"	52,70 116,18	FC600 RC	6I-6602 RC	6I-6608	6I-6609	-	-	119-8604/05/06	6I-6604 /05/06 6I-6605 RH/06 LH	-	-	60
212 8,35"	209 8,23"	481 18,94"	56,50 124,56	FC700 RC	-	4T-4708	4T4707	-	-	133-0704 /05/06 100-7416 /RH/LH	-	-	-	70

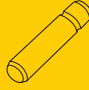


Weld-On Excavator Adapters



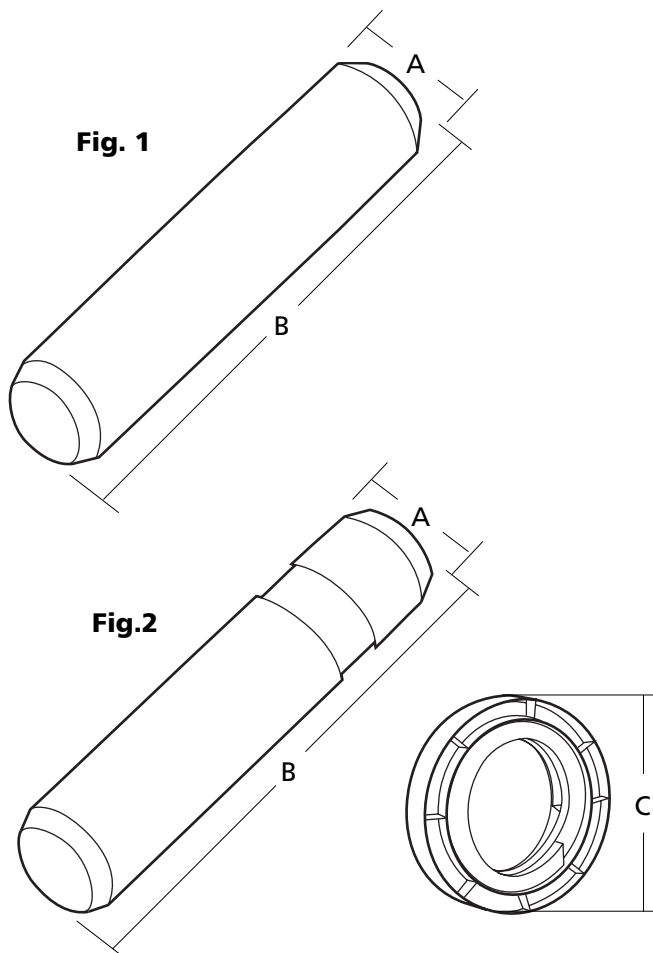
mm.																	
A	B	C	D	E	F	G	H					Cen	Right	Left	Right	Left	
384	424	627	94		136	212	247			79,00	●	-	-	-	-		
846,56	934,74	1382,28	207,23		299,82	467,37	544,53			174,16							
384	424	627	94	31°	136	212	246			80,00	-	-	-	●	-		
846,56	934,74	1382,28	207,23		299,82	467,37	542,33		90	176,37					70		
384	424	628	94		136	213	249			80,00	-	-	-	-	●		
846,56	934,74	1384,48	207,23		299,82	469,58	548,94			176,37							
519	360	699	105	23°	148	240	265			107,00	●						
1144,18	793,65	1541,01	231,48		326,28	529,10	584,22		100	220,46					80		

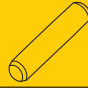



Pin & Washers



mm.					
A	B	C			
11 0,43"	61 2,40"	22 0,87"	8E-6208 1U-4208	8E-6209 4T-0001	20 J200
14 0,55"	69 2,72"	30 1,18"	6Y-3228	8E-6259 3G-9609	22 J225
14 0,55"	78 3,07"	30 1,18"	8E-6258 9J-2258	8E-6259 3G-9609	25 J250
14 0,55"	92 3,62"	30 1,18"	107-3308 9J-2308	8E-6259 3G-9609	30 J300
19 0,75"	108 4,25"	40 1,57"	8E-6358 9J-2358	8E-6359 3G-9549	35 J350
22 0,87"	119 4,69"	42 1,65"	7T-3408	8E-8409	40 J400
19 0,75"	135 5,31"	40 1,57"	9W-8296 4T-1458	8E-6359 3G-9549	45 J450
24 0,94"	141 5,55"	44 1,73"	8E-0468	8E-8469	46 J460
25 0,98"	162 6,38"	53 2,09"	6Y-8558 1U-1558	8E-5559 3G-9559	55 J550
30 1,18"	195 7,68"	59 2,32"	6I-6608	6I-6609	60 J600
32 1,26"	200 7,87"	70 2,76"	4T-4708	4T-4707	70 J700
-	-	-	102-0101	101-2874	80 J800

Heavy Duty Pin & Washers



mm.						
A	B	C				
14 0,55"	69 2,72"	30 1,18"	132-4762	-	133-0699	22 J225
14 0,55"	78 3,07"	30 1,18"	132-4763	-	133-0699	25 J250
14 0,55"	92 3,62"	30 1,18"	132-4766	-	133-0699	30 J300
19 0,75"	108 4,25"	40 1,57"	-	114-0358	114-0359	35 J350
22 0,87"	119 4,69"	42 1,65"	-	116-7408	116-7409	40 J400
24 0,94"	135 5,31"	44 1,73"	-	114-0468	107-3469	46 J460
25 0,98"	162 6,38"	53 2,09"	-	107-3378	107-8559	55 J550
30 1,18"	195 7,68"	59 2,32"	-	113-9608	113-9609	60 J600
32 1,26"	200 7,87"	70 2,76"	-	4T-4708	113-4709	70 J700
35 1,38"	240 9,45"	70 2,76"	-	134-1808	134-1809	80 J800



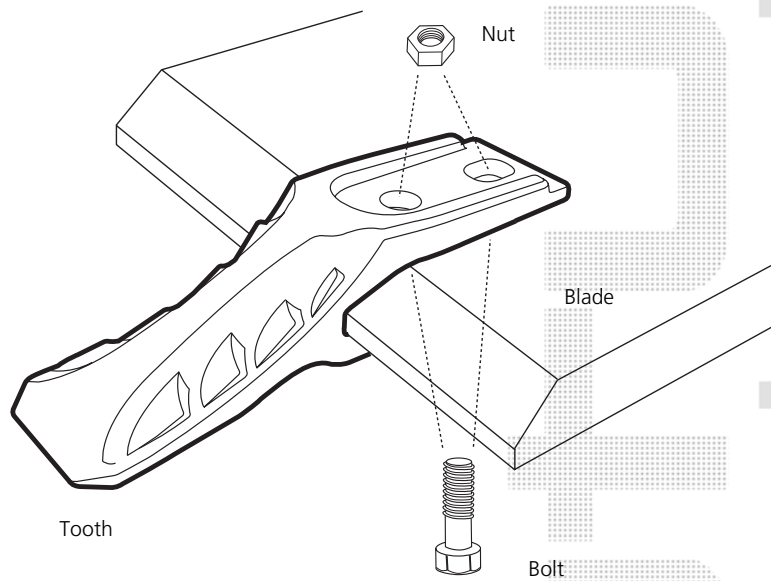
DRP

Mini Excavator

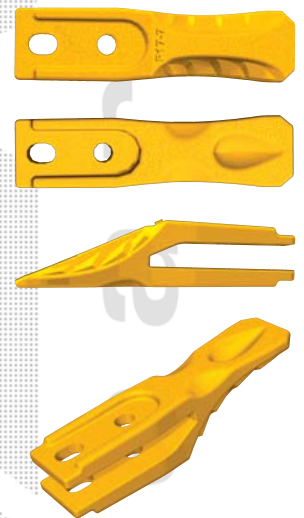
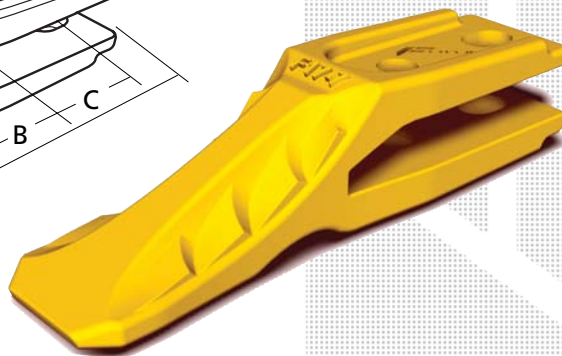
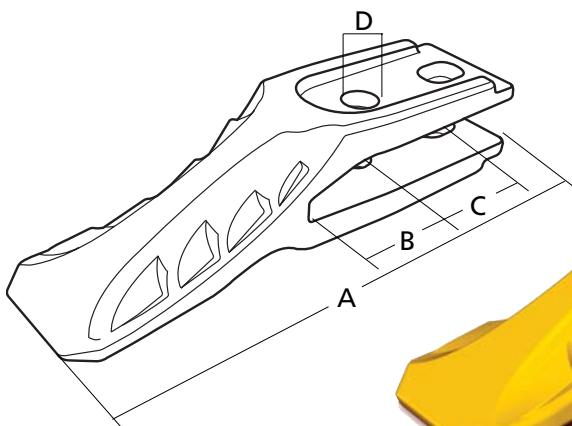
Teeth

Bold ref. number product available

Other ref. number please consult.

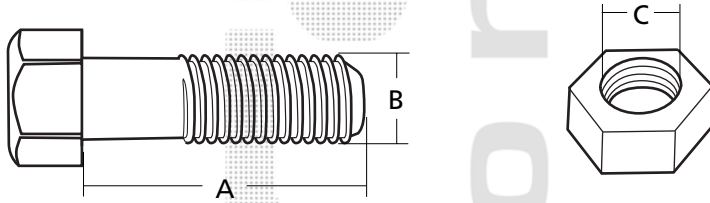




Bolt-On Mini Excavator Teeth



mm.									
A	B	C	D						
193 7,60"	40 1,57"	40 1,57"	45 1,77"	14 0,55"	16 0,63"	1,28 2,82	F17-7 17-7	M-12040	TM-012

Bolts & Nuts



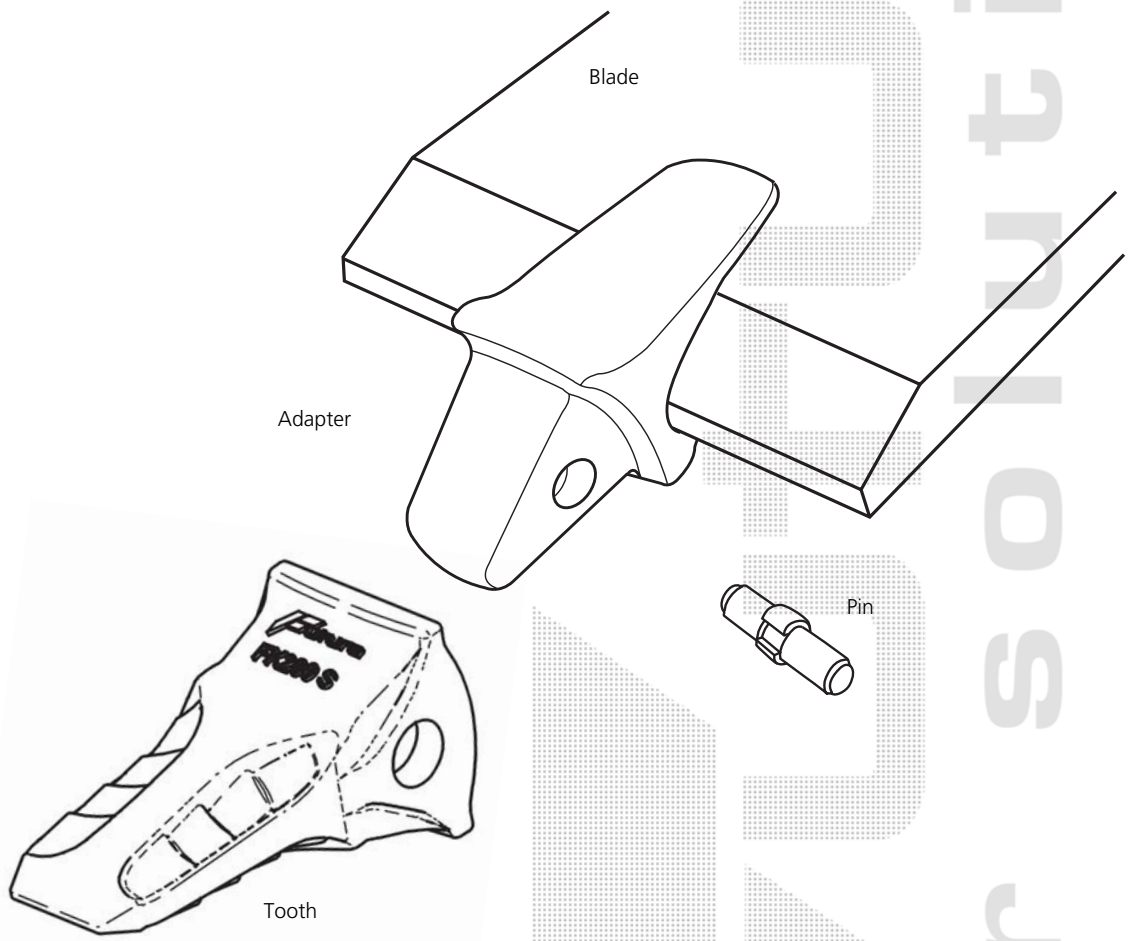
mm.			OEM	BYG ref.		OEM	BYG ref.
A	B	Thread			C		
40 1,57"	12 0,47"	1,75 0,07"	6V-8197	M-12040	M-12	6V-8149	TM-012






DRP
Komatsu
Teeth

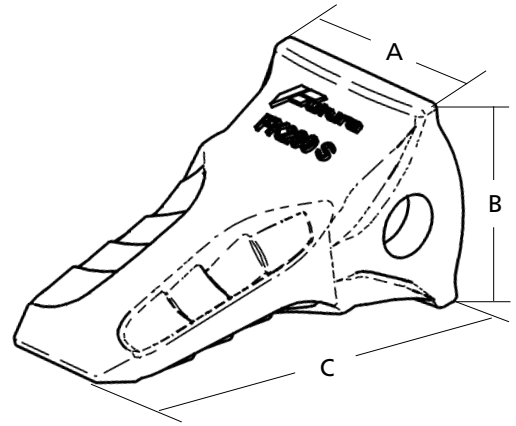
Bold ref. number:
product available

Other ref. number:
please consult.



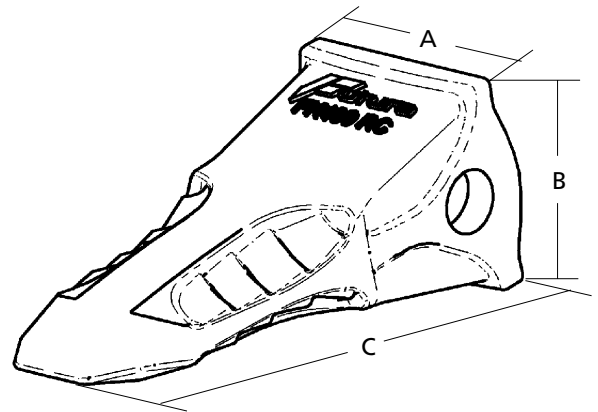
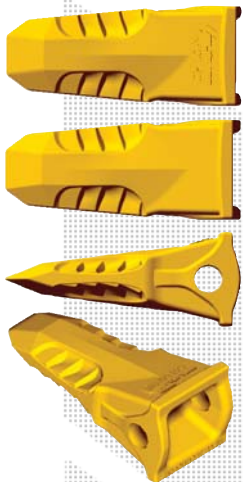
Standard S	Rock Chisel	
		
FK200 S 205-70-19570	-	200
FK300 S 207-70-14151	-	300
FK400 S 208-70-14152	FK400 RC 208-70-14152 RE	400
-	FK750 RC 209-70-54720	650 750
-	FK1100 RC 21N-72-14290 RE	1000 1100

Standard Teeth, S



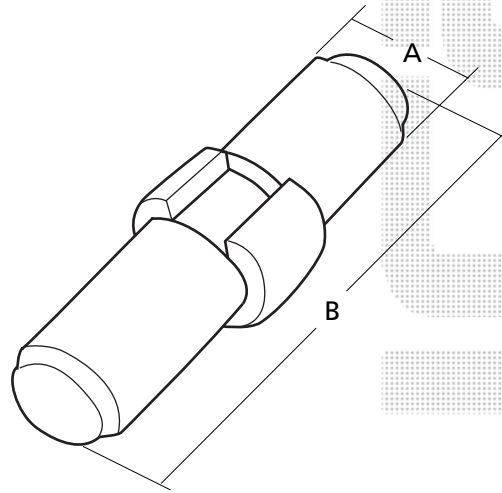
mm.							
A	B	C					
102 4,02"	112 4,41"	225 8,86"	5,10 11,24	FK200 S 205-70-19570	09244-02496	205-70-68141 205-939-7120	200
124 4,88"	121 4,76"	248 9,76"	7,88 17,37	FK300 S 207-70-14151	09244-02516	207-70-14142 207-939-3120	300
146 5,75"	135 5,31"	276 10,87"	11,20 24,69	FK400 S 208-70-14152	09244-03036	208-70-14143	400



Rock chisel teeth, RC



mm.							
A	B	C					
146 5,75"	136 5,35"	345 13,58"	15,50 34,17	FK400 RC 208-70-14152 RE	09244-03036	208-70--14143	400
185 7,28"	191 7,52"	438 17,24"	35,30 77,82	FK750 RC 209-70-54720 RE	209-70-54240	209-70-74140	650 750
188 7,40"	310 12,20"	518 20,39"	54,80 120,81	FK1100 RC 21N-72-14290 RE	21N-72-14330	21N-70-74140	1000 1100

Pin



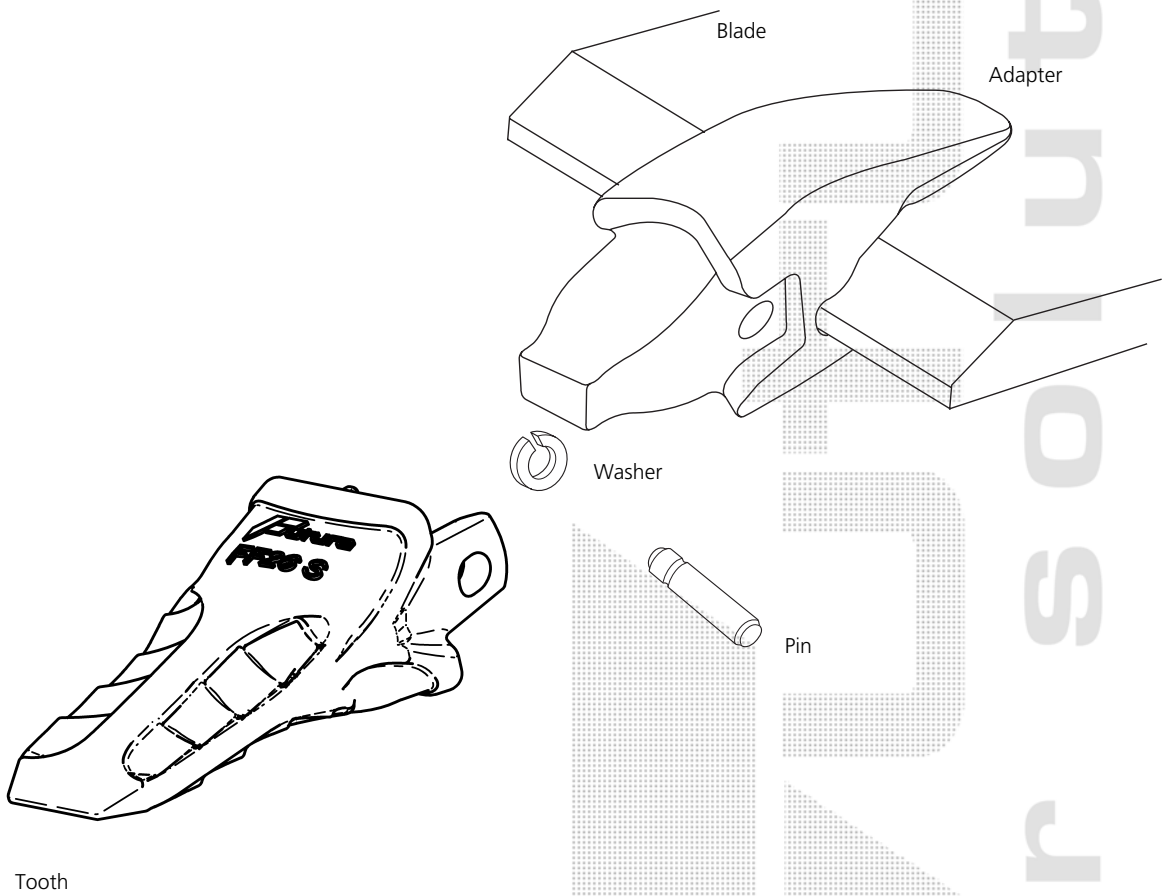
mm.		BYG Ref.	OEM	
A	B			
25 0,98"	97 3,82"	09244-02496	205-70-19610 205-70-69130	PC100, PC100L-5, PC120-5, PC130, PC200LC-5, PW210-1
25 0,98"	119 4,69"	09244-02516	175-78-21810	PC220, PC220LC-5, PC240LC-NLC, PC280LC-3, PC290 LC/NLC, PC300, PC300LC-5, PC340 LC/NLC, PC360LC-3, PC-380 LC
25 0,98"	145 5,71"	09244-03036	198-79-11320 A09-78-11730 426-847-1130	PC400, PC400LC-5, PC450, PC450LC
36 1,42"	165 6,50"	209-70-54240	209-70-54240	PC650, PC650LC-3, PC650SE, PC750, PC750SE
40 1,57"	165 6,50"	21N-72-14330	21N-70-00060	PC-1000LC-1, PC1000SE-1, PC-1100SP, PC-1200



DRP

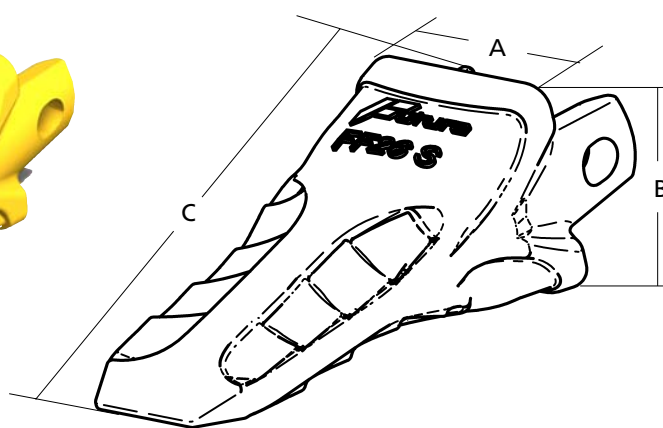
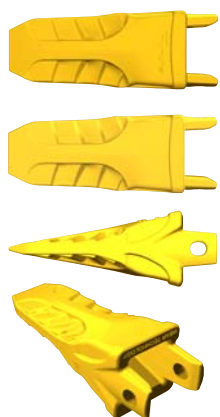
Fiat Hitachi

Teeth

Bold ref. number:
product available
Other ref. number:
please consult.


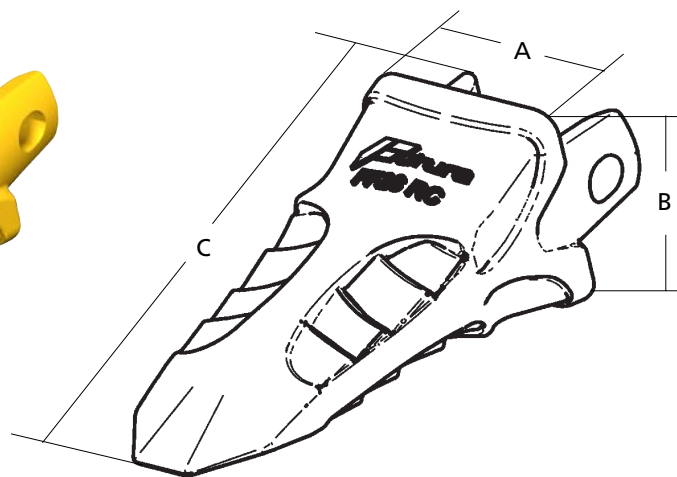
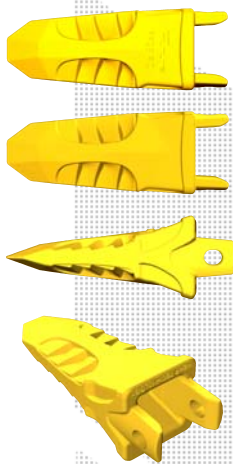
Standard S	Rock Chisel	
FF22 S X290	FF22 RC 71407828 RE	22
FF24 S X330	FF24 RC 71407992 RE	24
FF26 S X370	FF26 RC 71421565 RE	26
FF28 S X410	FF28 RC 71432195 RE	28
FF32 S X450	-	32

Standard Teeth, S



mm.									Break Out Force Kn		Break Out Force Kn		
A	B	C											
80 3,15"	90 3,54"	218 8,58"	3,50 7,72	FF22 S	2MF-22P	2MF-21/22R	*	113 - 225	9 - 23	70 - 140	8 - 15	22	
102 4,02"	106 4,17"	282 11,10"	6,86 15,12	FF24 S	2MF-24P	2MF-24R	*	225 - 314	23 - 32	140 - 245	15 - 25	24	
120 4,72"	117 4,61"	330 12,99"	10,65 23,48	FF26 S	2MF-26P	2MF-26/28R	*	314 - 490	32 - 50	245 - 340	25 - 35	26	
138 5,43"	130 5,12"	401 15,79"	16,00 35,27	FF28 S	2MF-28P	2MF-26/28R	*	490 - 735	50 - 75	340 - 490	35 - 50	28	
163 6,42"	155 6,10"	422 16,61"	24,19 53,33	FF32 S	2MF-32P	2MF-32R	*	735 - 930	75 - 95	490 - 635	50 - 65	32	

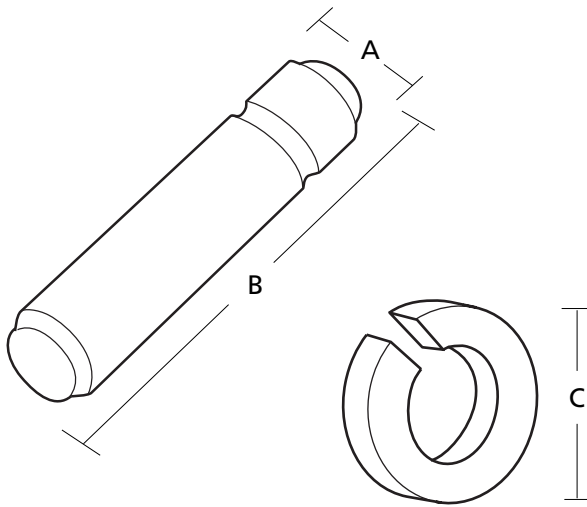
Rock Chisel Teeth, RC






mm.									Break Out Force Kn		Break Out Force Kn		
A	B	C											
80 3,15"	90 3,54"	244 9,61"	3,80 8,38	FF22 RC 71407828 RE	2MF-22P	2MF-21/22R	*	113 - 225	9 - 23	70 - 140	8 - 15	22	
102 4,02"	106 4,17"	286 11,26"	6,58 14,51	FF24 RC 71407992 RE	2MF-24P	2MF-24R	*	225 - 314	23 - 32	140 - 245	15 - 25	24	
120 4,72"	117 4,61"	334 13,15"	10,17 22,42	FF26 RC 71421565 RE	2MF-26P	2MF-26/28R	*	314 - 490	32 - 50	245 - 340	25 - 35	26	
138 5,43"	127 5,00"	407 16,02"	15,07 33,22	FF28 RC 71432195 RE	2MF-28P	2MF-26/28R	*	490 - 735	50 - 75	340 - 490	35 - 50	28	

* To see table of equivalences, page 1.7.4

Pin and Washer



A	B	C			
10 0,39"	85 3,35"	18 0,71"	2MF-22P	2MF-21/22R	22
14 0,55"	102 4,02"	27 1,06"	2MF-24P	2MF-24R	24
19 0,75"	122 4,80"	32 1,26"	2MF-26P	2MF-26/28R	26
19 0,75"	135 5,31"	32 1,26"	2MF-28P	2MF-26/28R	28
25 0,98"	155 6,10"	45 1,77"	2MF-32P	2MF-32R	32

Cross References Between Brands: Teeth, Adapters, Pins and Washers

Teeth Futura	Teeth BYG Ref.	Fiat	Fixmet®	Feurst®	Esco	
FF22 S	71407828	71467241 / 71407828	MF22 S	222LTR	022SL	22
FF24 S	71417992	71465120 / 71419992	MF24 S	24LTR	024SL	24
FF26 S	71421565	71464186 / 71421565	MF26 S	26LTR	026SL	26
FF28 S	71432195	71468101 / 71432195	MF28 S	28LTR	028SL	28
FF32 S	-	-	MF32 S	32LTR	-	32

Teeth Futura	Teeth BYG Ref.	Fiat	Fixmet®	Feurst®	Esco	
FF22 RC	71407828 RE	71467241 / 71407828	MF22 E	222 PR	22	22
FF24 RC	71417992 RE	71465120 / 71419992	MF24 E	24 PR	24	24
FF26 RC	71421565 RE	71464186 / 71421565	MF26 E	26 PR	26	26
FF28 RC	71432195 RE	71468101 / 71432195	MF28 E	28 PR	28	28
FF32 RC	-	-	MF32 E	32 PR	-	32

Adapters Futura	Adapters BYG Ref.	Fiat	Fixmet®	Feurst®	Esco	
-	-	71407829	1MF22FC / 1MF22OA 1MF22UC / 1MF22WC 1MF22WL / 1MF22WR	1530-222 1530-2220° 1230-222 1030-222	-	22
-	-	71417993	1MF24FC / 1MF24OA 1MF24UC / 1MF24WC 1MF24WL / 1MF24WR	1535-24 1535-240° 1035-24	-	24
-	-	71421566	1MF26FC / 1MF26OA 1MF26UC / 1MF26WC 1MF26WL / 1MF26WR	1540-26 1540-260° 1040-26	-	26
-	-	71432196	1MF28FC / 1MF28OA 1MF28WC / 1MF28WL 1MF28WR	1545-28 1550-28 1045-28	-	28
-	-	-	1MF32WC / 1MF32WL 1MF32WR	1560-32	-	32

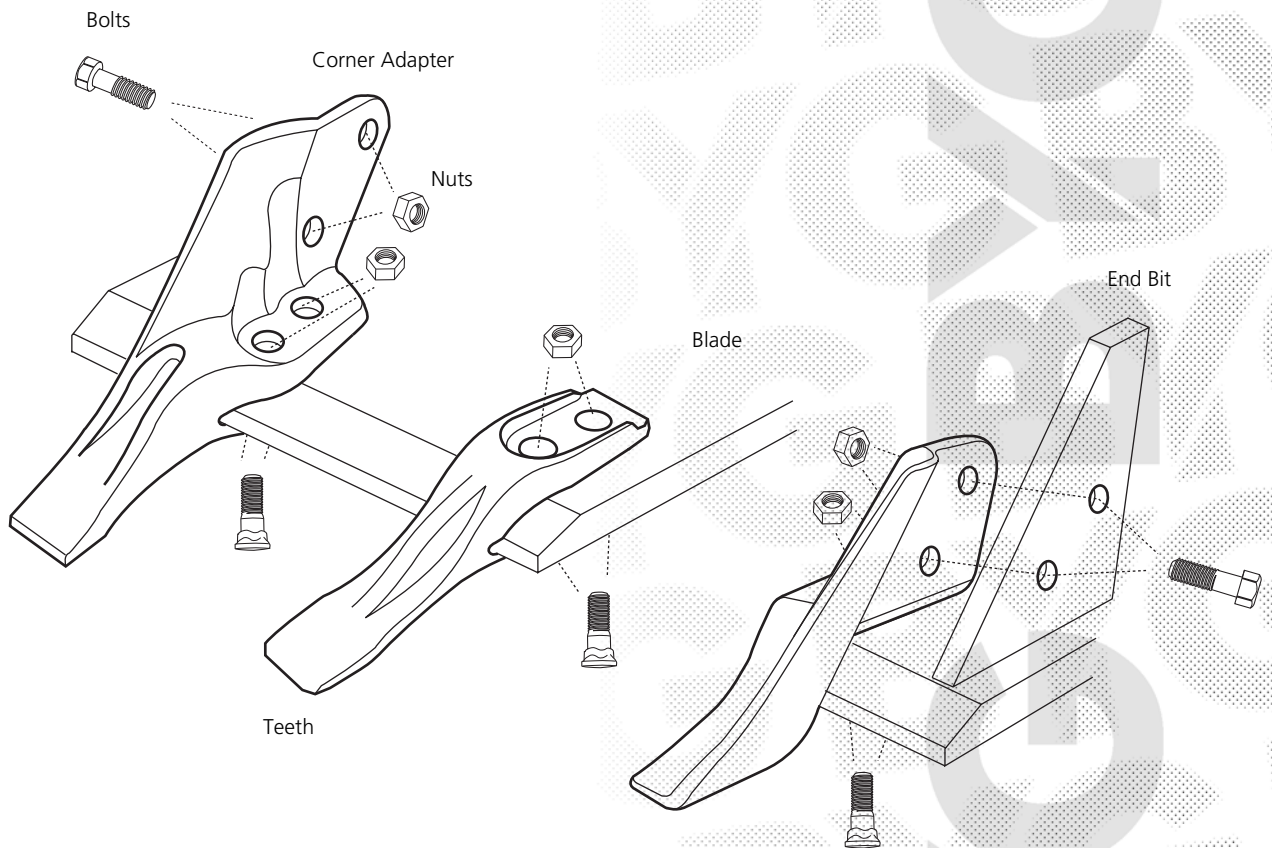
Pins BYG Ref.	Pins Fiat Ref.	Fixmet®	Feurst®	Esco	
2MF-22P	71467242 / 71407832	2MF22P	22CL	022PN	22
2MF-24P	71465124 / 71417996	2MF24P	24CL	024PN	24
2MF-26P	71464190 / 71421569	2MF26P	26CL	026PN	26
2MF-28P	71468105 / 71432199	2MF28P	28CL	028PN	28
2MF-32P	- / -	2MF32P	32CL	032PN	32









Washers BYG Ref.	Washers Fiat Ref.	Fixmet®	Feurst®	Esco	
2MF-21 / 22R	71467243 / 71407833	2MF21 / 22R	22RD	022LK	22
2MF-24R	71465125 / 71417997	2MF24R	24RD	024LK	24
2MF-26 / 28R	71464191 / 71421570	2MF26 / 28R	26RD	026-28LK	26
2MF-26 / 28R	71464191 / 71432200	2MF26 / 28R	28RD	026-28LK	28
2MF-32R	- / -	2MF32R	32RD	032LK	32

DRP
JCB

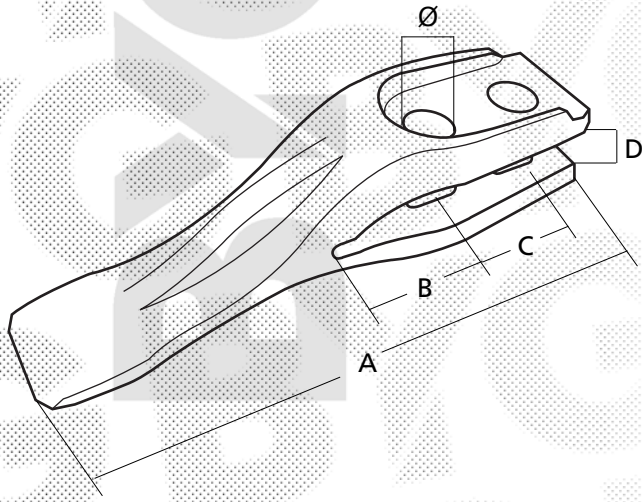
Teeth

Bold ref. number, product available
Other ref. number please consult.
 **Futura Alternative**



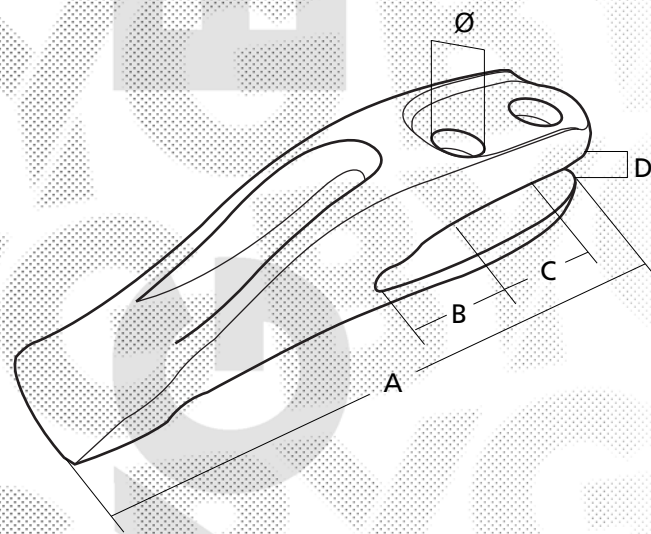
Bolt-On Teeth	Standard	Corner Adapter		JCB-3CX
				
53103205 P	 53103205 FJ205	 53103208 FJ208	 53103209 FJ209	JCB-3CX
Pag. 6.2	Pag. 6.2	Pag. 6.3	Pag. 6.3	

Bolt-On Monoblock Teeth



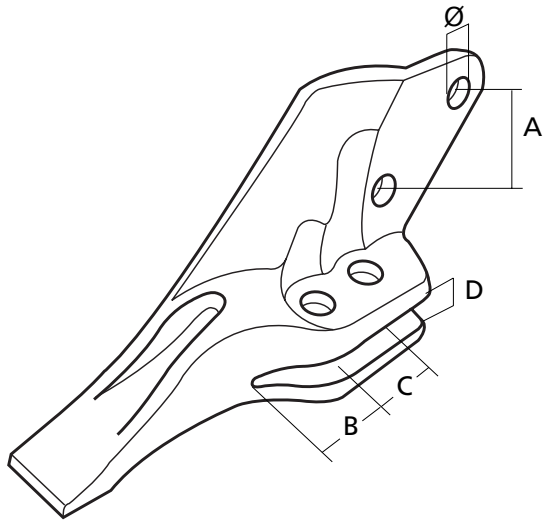
mm.					KG	53103205 P	53103208	53103209	PB-324	NP-190	JCB-3CX
A	B	C	D	Ø							
245	57	44,5	21	20,5	2,00						
9,65"	2,24"	1,75"	0,83"	0,81"	4,41						

Bolt-On Monoblock Teeth



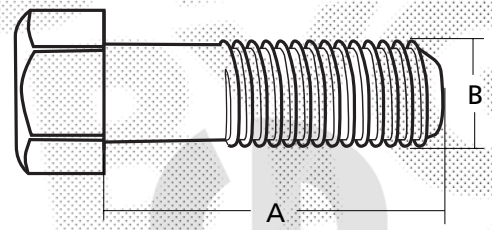
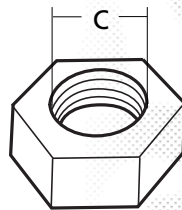
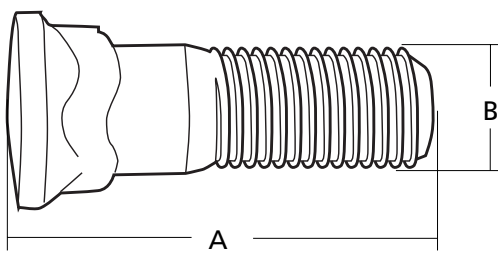
mm.					KG	53103205 FJ205	53103208	53103209	PB-324	NP-190
A	B	C	D	Ø						
245	57	44,5	21	20,5	3,00					
9,65"	2,24"	1,75"	0,83"	0,81"	6,61					

Bolt-On Corner Teeth



mm.					Ø	KG	FJ208	FJ209	M-20050	TM-020	PB-324	NP-190
A	B	C	D									
87,5	57	44,5	21	20,5	5,50							
3,44"	2,24"	1,75"	0,83"	0,81"	12,13							

Bolts & Nuts



mm.			Thread	Thread	OEM	BYG ref.	OEM	BYG ref.	OEM	BYG ref.
A	B	C								
50	20	20	-	2,50	6V-3531	M-20050	-	-	6V-7742	TM-020
1,97"	0,79"	0,79"	-	0,10"						
2-1/2"	3/4"	3/4"	10	-	-	-	5J-4773	PB-324	2J-3506	NP-190
-	-	-	0,39"	-						

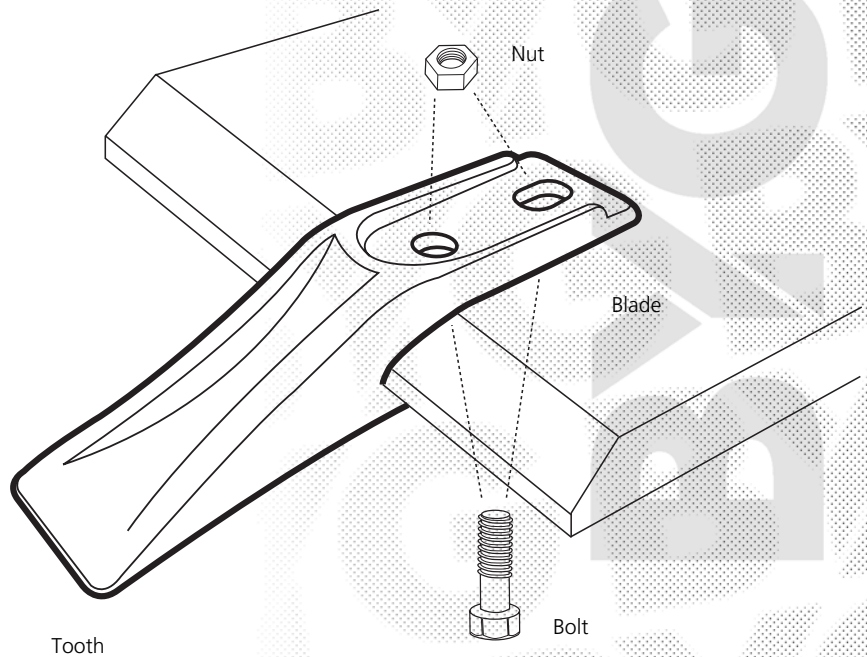
DRP

Mini Excavator

Teeth

Bold ref. number, product available

Other ref. number please consult.



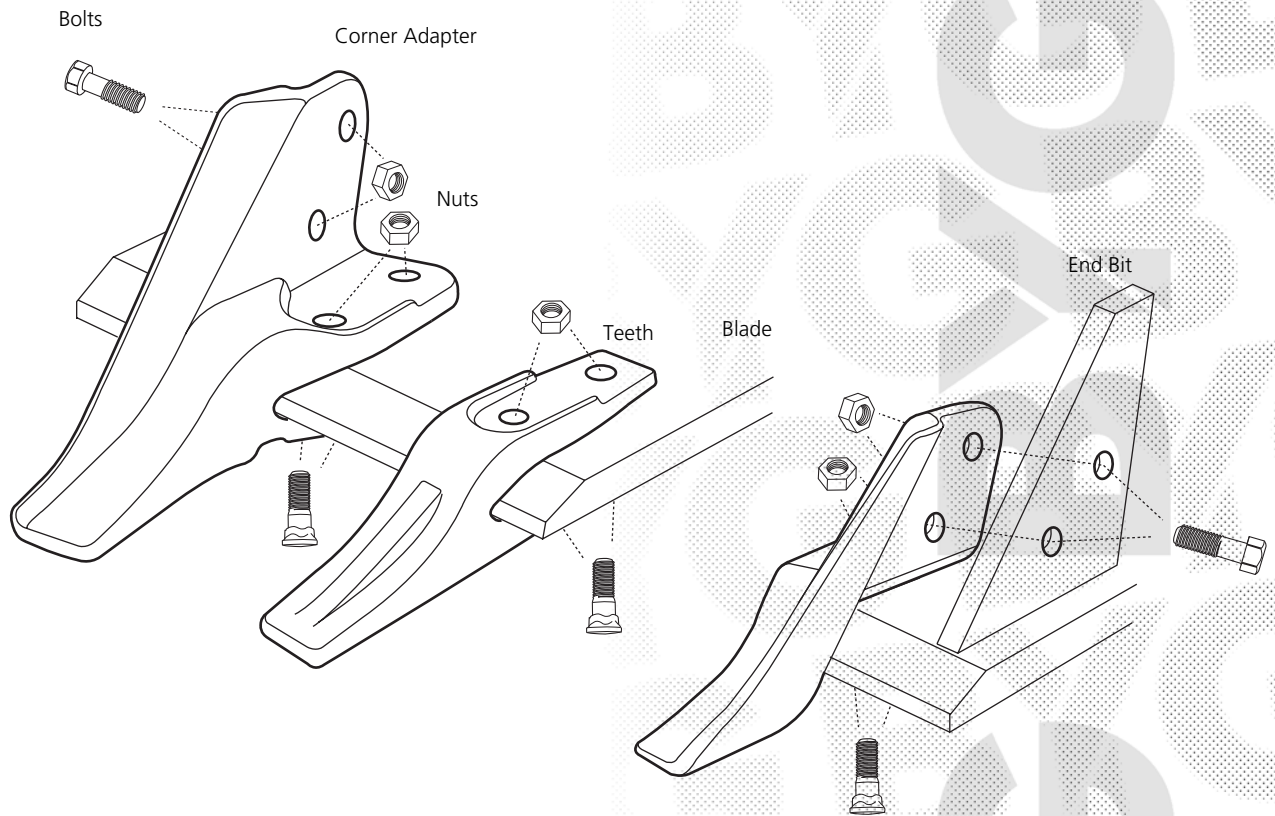
Mini-01	Mini-00	17-7	-	-	16
Mini-02	-	-	-	-	20
Mini-03	-	-	HM-054B	-	20-22
-	-	-	-	1462201M1	26
Pag. 12.2	Pag. 12.2	Pag. 12.3	Pag. 12.3	Pag. 12.4	

DRP
Fai
Komatsu (FMK)

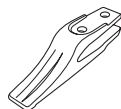
**Bold ref. number,
 product available**

*Other ref. number
 please consult.*

Teeth



Teeth



312204054

Pag. 2

Corner Adapter



312204053

Pag. 2



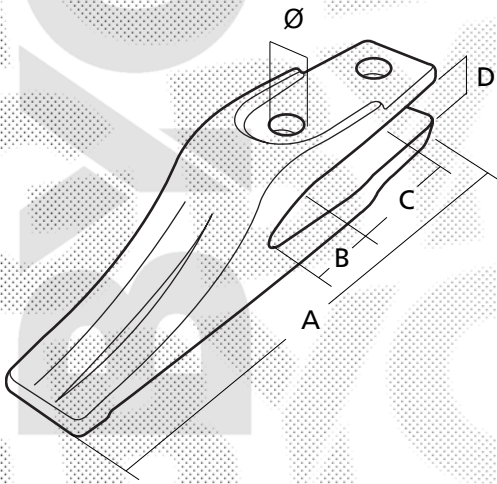
312204052

Pag. 2



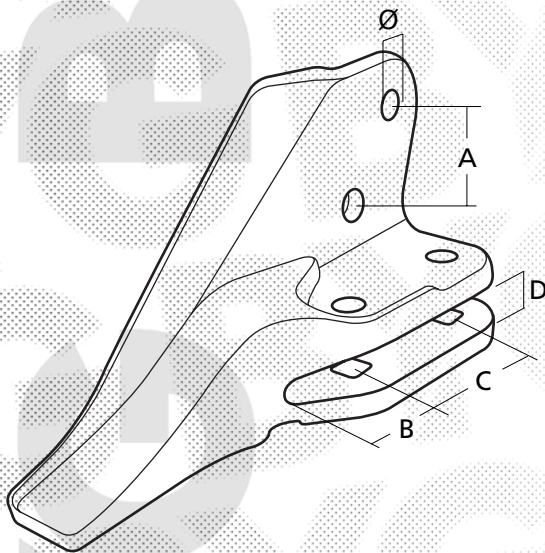
SYNTH-TER 90-P6,
 SYNTH-ESIS 555-692-698
 SYNTH-LOAD 555-556-692-698

Fai Komatsu (FMK) Tooth



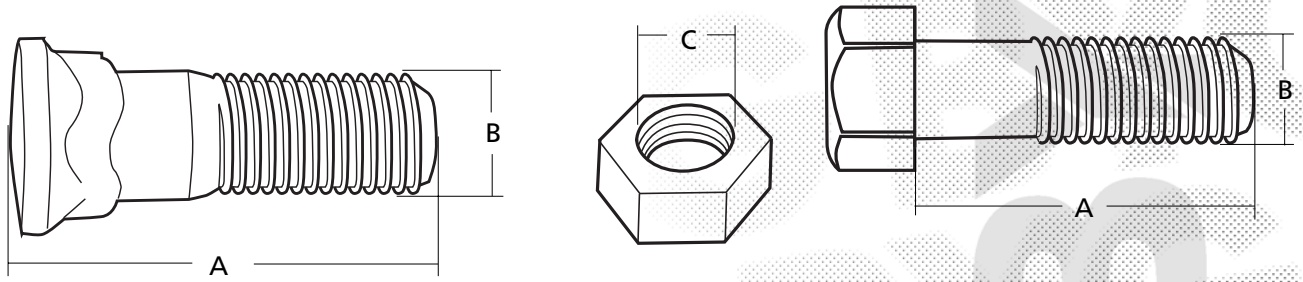
mm.													
A	B	C	D	Ø									
280	65	80	23	17	20	4,00	312204054	PB-510	NP-158	312204053	312204052	SYNTH-TER 90-P6, SYNTH-ESIS 555-692-698 SYNTH-LOAD 555-556-692-698	
11,02"	2,56"	3,15"	0,91"	0,67"	0,79"	8,82							

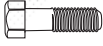


Fai Komatsu (FMK) Corner Adapter



mm.														
A	B	C	D	Ø										
63	65	80	23	17	20	6,7	312204053 312204052	S-0841	NP-158	PB-510	NP-158	312204054	SYNTH-TER 90-P6, SYNTH-ESIS, 555-692-698 SYNTH-LOAD, 555-556-692-698	
2,48"	2,56"	3,15"	0,91"	0,67"	0,79"	14,77								

Fasteners



mm.			Threads	Original	BYG ref.	Original	BYG ref.	Original	BYG ref.
A	B	C							
1-3/4"	5/8"	5/8"	18	S-1589	5B-0841	-	-	NP-158	4K-0367
2-1/4"	5/8"	5/8"	11	-	-	PB-510	3F-5108		

