

The **KMP BRAND** replacement parts suitable for **DETROIT DIESEL®**
Engine Book

& **ALL**
in ONE *Engine Kit*
Programme

May 2011



*Complete
Engine
Overhaul,
Out-of-Frame
and In-Frame Kits.*



A WORLD OF DIFFERENCE & INNOVATION

U.K. • U.S.A. • Singapore • Malaysia



Chertsey - England



ISO 9001:2000 CERTIFIED

www.kmpbrand.com



Houston-Texas

All original equipment, manufacturer's names, part numbers, symbols, drawings, colours and descriptions are for reference purposes only, and it is not implied any part is that of these manufacturers. Detroit Diesel® is a registered trademark of Detroit Diesel, Inc.

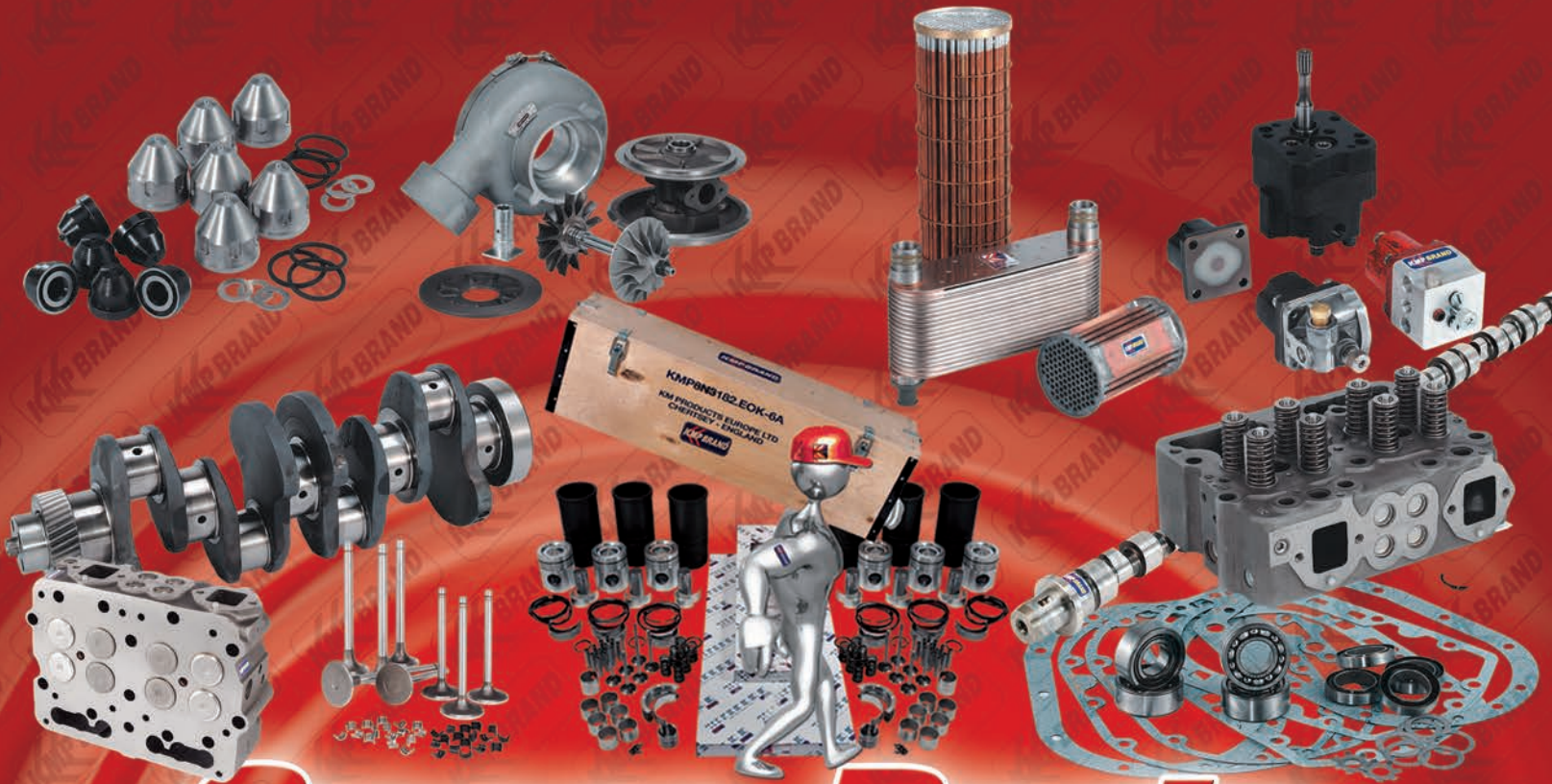
KMP BRAND **PROMO 33**

The



Replacement parts suitable for

CUMMINS®



Spare Parts



Replacement parts suitable for the following CUMMINS® engines

- 4B 3.3
- 4B 3.9
- 6B 5.9
- 6C 8.3
- L10
- M11
- N14
- NH220
- NT855
- K19
- K38
- K50
- KT1150
- KT2300
- KT3067
- V378
- V504
- V555
- V903
- VTA28
- VT1710
- ISB
- ISC
- ISD
- ISF
- ISL
- ISM
- QSB
- QSC
- QSK
- QSL
- QSM
- QST
- QSX
- QSV

October 2011

All original equipment, manufacturer's names, part numbers, symbols, drawings, colours and descriptions are for reference purposes only, and it is not implied any part is that of these manufacturers



The



replacement parts suitable for

KOMATSU®

Engine Book



Komatsu Version	Komatsu/Cummins Version
95 SERIES	NH220 SERIES
102 SERIES	N855 SERIES
105 SERIES	NTA855 SERIES
107 SERIES	N14 SERIES
108 SERIES	L10 SERIES
110 SERIES	LTA10 SERIES
114 SERIES	M11 SERIES
120 SERIES	MTA11 SERIES
125 SERIES	K19 SERIES
130 SERIES	QSK19 SERIES
140 SERIES	KT1150 SERIES
155 SERIES	KT2300 SERIES
170 SERIES	VTA1710 SERIES

www.kmpbrand.com

All original equipment, manufacturer's names, part numbers, symbols, drawings, colours and descriptions are for reference purposes only, and it is not implied any part is that of these manufacturers.

Komatsu® is a registered trademark of Komatsu Ltd.



ISO 9001:2008
CERTIFIED



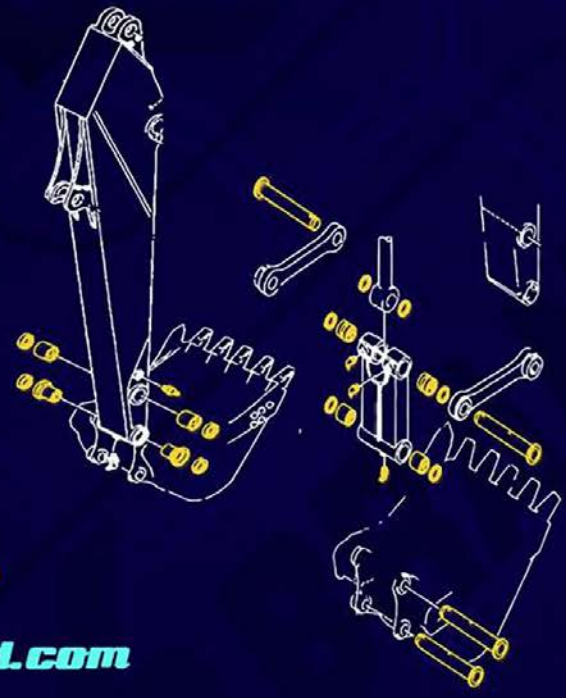
PROMO 25



BUCKET PIN & BUSHING KITS



Is proud to announce that it now offers a range of **42** Bucket Pin & Bushing Kits.



to cover over **105** KOMATSU Excavators in the PC200-3 through PC490LC-10 Range

www.kmpbrand.com



The



replacement parts suitable for

PERKINS®

The ENGINE BOOK 3,4,6

AGRICULTURAL DIVISION

CYLINDERS



All from **1** source



October 2015

All original equipment, manufacturer's names, part numbers, symbols, drawings, colours and descriptions are for reference purposes only, and it is not implied any part is that of these manufacturers. Perkins © is a registered trademark of Perkins Engines Co. Ltd.

KMP BRAND PROMO 103



Promo No. 1A

August 2017

ALL FROM 1 SOURCE



(suitable for)

CATERPILLAR®

CUMMINS®

DETROIT DIESEL®

KOMATSU®

PERKINS®

JOHN DEERE®

1581 oem kits

(currently)

vs 74



Gasket Kits

THE



replacement parts suitable for

IVECO Tector® engines

F4AE0481, F4AE0681, F4AE3481 and F4AE3681

NEF® Engines

NEF 45 TIER2, NEF 67 TIER 2, NEF 45 TIER 3 and NEF 67 TIER 3



KMP LAUNCHES...

All original equipment, manufacturer's names, part numbers, symbols, drawings, colours and descriptions are for reference purposes only, and it is not implied any part is that of these manufacturers. Iveco © is a registered trademark of Iveco Industrial Vehicles Corp.

September 2017



PROMO 115

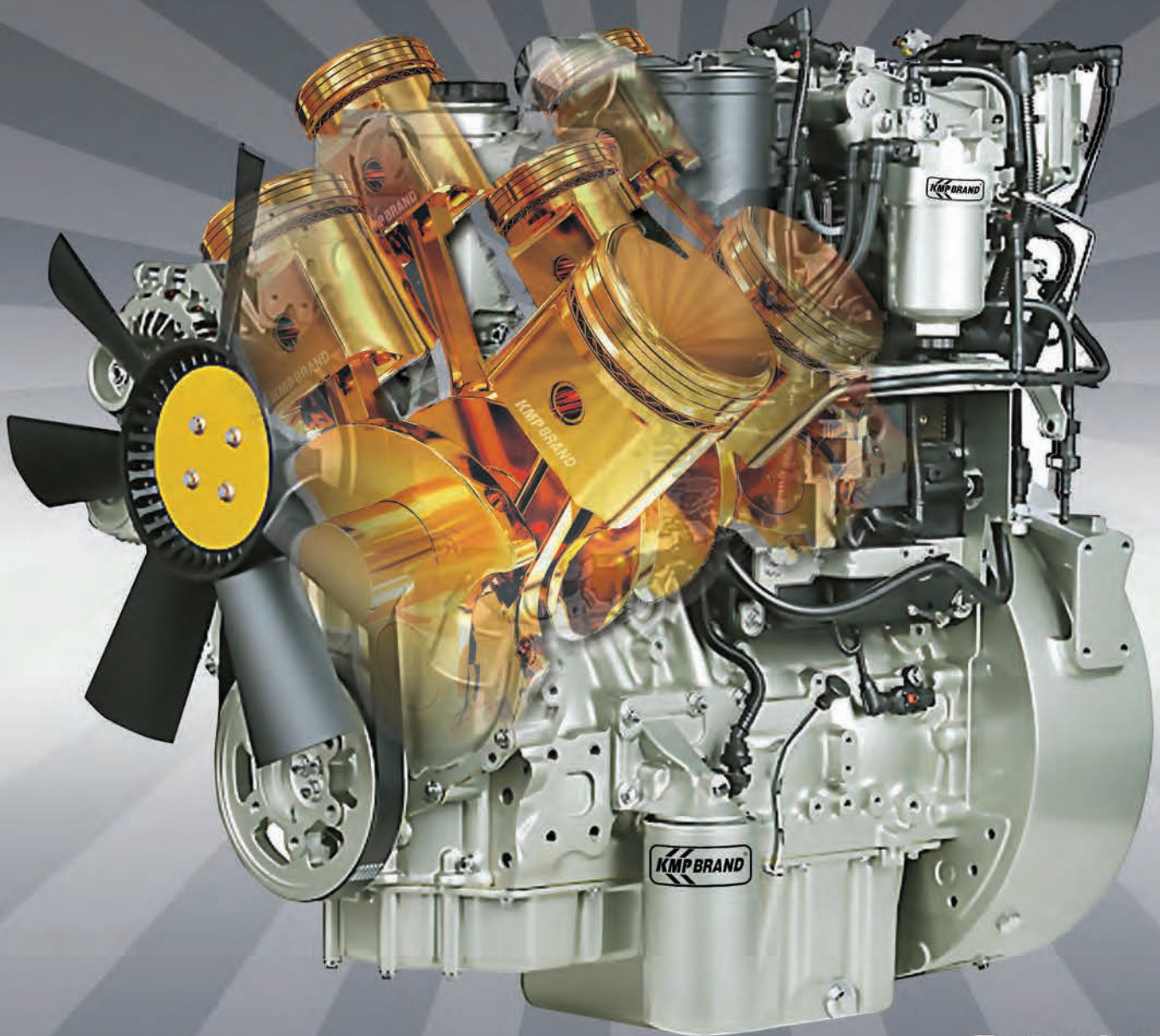
The



replacement parts suitable for

Perkins®

Series 2200
2300
2500
2800



All original equipment, manufacturer's names, part numbers, symbols, drawings, colours and descriptions are for reference purposes only, and it is not implied any part is that of these manufacturers. Perkins® is a registered trademark of Perkins Engines Co.Ltd.

September 2017



PROMO 116



Replacement parts suitable for

JOHN DEERE ENGINES



www.kmpbrand.com

All original equipment, manufacturer's names, part numbers, symbols, drawings, colours and descriptions are for reference purposes only, and it is not implied any part is that of these manufacturers.

John Deere is a registered trademark of Deere & Co.

PROMO 118

APRIL 2018



© 2018 KMP Brand



Parts guide suitable for *Caterpillar® Engines*



All original equipment, manufacturer's names, part numbers, symbols, drawings, colours and descriptions are for reference purposes only, and it is not implied any part is that of these manufacturers. Caterpillar® is a registered trademark of Caterpillar Inc.



ISO 9001 - 2015 Certified

PROMO 128
OCTOBER 2018



The



Pumps Comprehensive Range

SUITABLE FOR

KOMATSU® • CATERPILLAR® • CUMMINS® • DETROIT DIESEL®



ISO 9001:2008
CERTIFIED

www.kmpbrand.com

JULY 2013



PROMO 83



TURBOCHARGER, CARTRIDGE & REPAIR KIT



replacement parts suitable for

CATERPILLAR®
CUMMINS®
KOMATSU®
PERKINS®
JOHN DEERE®

All original equipment, manufacturer's names, part numbers, symbols, drawings, colours and descriptions are for reference purposes only, and it is not implied any part is that of these manufacturers.

February 2017

KMP BRAND PROMOTIONAL 98A

THE



replacement parts suitable for

KOMATSU • CATERPILLAR • CUMMINS

V-Belt Programme

All from **1** Source



ISO 9001:2008
CERTIFIED

www.kmpbrand.com

August 2012

KMP BRAND PROMO 18

All original equipment, manufacturer's names, part numbers, symbols, drawings, colours and descriptions are for reference purposes only, and it is not implied any part is that of these manufacturers.